

Extraflame®

Riscaldamento a Pellet



QR VIDEO

ETICHETTA QR

UK

USER MANUAL COMBINED PELLETT/WOOD STOVE

MADE IN ITALY
design & production

MARGARET GRES - MARGARET PETRA

“PELLET” TECHNICAL DATA LABEL

APPLY TECHNICAL
DATA LABEL

“WOOD” TECHNICAL DATA LABEL

APPLY TECHNICAL
DATA LABEL



ATTENTION



**SURFACES CAN BECOME VERY HOT!
ALWAYS USE PROTECTIVE GLOVES!**

During combustion, thermal energy is released that significantly increases the heat of surfaces, doors, handles, controls, glass, exhaust pipes, and even the front of the appliance. Avoid contact with those elements if not wearing protective clothing (protective gloves included). Make sure children are aware of the danger and keep them away from the stove during operation.

ENGLISH	5
WARNINGS	5
SECURITY	5
ROUTINE MAINTENANCE	7
INSTALLATION	8
HERMETICALLY SEALED INSTALLATION	10
COMBUSTION AIR.....	10
FUMES EXHAUST SYSTEM.....	10
MARGARET GRES - MARGARET PETRA DETAILS	11
FUSE.....	12
FLUE GAS OUTLET.....	12
ADDITIONAL THERMOSTAT (NOT SUPPLIED)	13
OPTIONAL ACCESSORIES	13
HOT AIR DUCTING KIT (OPTIONAL ACCESSORY)	13
ALLOWED / NOT ALLOWED FUELS	14
WOOD.....	14
PELLET.....	14
OPERATION	15
HOW TO LOAD THE WOOD	16
IGNITION.....	17
MANUAL IGNITION (LIGHTING THE WOOD WITH MANUAL IGNITION)	17
HYBRID IGNITION (LIGHTING THE WOOD BY BURNING PELLETS).....	18
PELLET IGNITION (IGNITION FOR PELLETS OPERATION MODE).....	18
WOOD OPERATION	19
WOOD TO PELLETS OPERATION	20
PELLET OPERATION	20
FROM PELLETS TO WOOD OPERATION	21
WOOD OPERATION WITHOUT AN ELECTRICAL CURRENT (ONLY IN THE EVENT OF AN EMERGENCY)	22
STOVE OPERATING WITH WOOD (OR ONE OF ITS STATES) AT THE TIME OF THE BLACKOUT	22
STOVE OPERATING WITH PELLETS (OR ONE OF ITS STATES) AT THE TIME OF THE BLACKOUT	22
STOVE IN OFF STATUS AT BLACKOUT.....	22
REMOTE CONTROL	24
REMOTE CONTROL ICONS	25
INSERTING THE BATTERIES	25
ADVICE AND PRECAUTIONS FOR THE USE OF THE REMOTE CONTROL.....	25
TOUCH SCREEN DISPLAY	26
OPENING THE DISPLAY	26
CLOSING THE DISPLAY	26
CONTROL BOARD	27
ICON KEY	27
GENERAL MENU.....	28
GENERAL WARNINGS.....	29
MODE (POWER MANAGEMENT)	29
VENTILATION	30
AIR DUCTING (OPTIONAL KIT)	30
AIR ZONE CONTROL (ONLY IF THE AIR DUCTING KIT IS PRESENT)	31
PELLET EASY SETUP	31
WOOD EASY SETUP	31
CHRONO MODE	31
REIGNITION.....	32
CHRONO.....	32
ENABLING/DISABLING THE CHRONO FUNCTION.....	32
SETTINGS	34
DATE-TIME	34
LANGUAGE.....	34
DEGREES	34
DISPLAY.....	34
STAND BY.....	34
DELTA-T.....	35
FIRST LOAD	35
CLEANING.....	36
EASY CONTROL	36
WI-FI.....	36
CLEANING AND MAINTENANCE	38
MAINTENANCE	38
PERIODIC CLEANING UNDER USER'S RESPONSIBILITY.....	38
ROUTINE MAINTENANCE PERFORMED BY QUALIFIED TECHNICIANS	40
SHUT-DOWN (END OF SEASON)	40
DISPLAYS	43
ALARMS	44
DISPOSAL	46

We thank you for having chosen our company; our product is a great heating solution developed from the most advanced technology with top quality machining and modern design, aimed at making you enjoy the fantastic sensation that the heat of a flame gives, in complete safety.

WARNINGS

This instruction manual is an integral part of the product: make sure it always accompanies the appliance, even if it is transferred to another owner or user, or taken to another location. If it is damaged or lost, request another copy from the local service centre. This product must be intended for the use it has been specifically made for. The manufacturer is exempt from any liability, contractual and extracontractual, for injury/damage caused to persons/animals and objects, due to installation, adjustment and maintenance errors and improper use.

Installation must be performed by qualified staff, which assumes complete responsibility for the definitive installation and consequent good functioning of the product installed. One must also bear in mind all laws and national, regional, provincial and town council standards present in the country in which the appliance has been installed, as well as the instructions in this manual.

The use of the appliance must comply with all local, regional, national and European regulations.

The manufacturer will not be liable if these precautions are not observed.

After removing the packaging, ensure that the content is intact and complete. Otherwise, contact the dealer where the appliance was purchased from.

All the electric components that make up the product must be replaced with original spare parts exclusively by an authorised after-sales centre, thus guaranteeing correct operation.

SECURITY

♦ **THE APPLIANCE CAN BE USED BY CHILDREN AGED EIGHT AND ABOVE AND BY PEOPLE WITH REDUCED PHYSICAL, SENSORY AND MENTAL CAPACITIES, OR WHO LACK EXPERIENCE OR SUFFICIENT KNOWLEDGE, PROVIDED THAT THEY ARE SUPERVISED OR AFTER THEY HAVE BEEN INSTRUCTED ON THE SAFE USE OF THE APPLIANCE AND HAVE UNDERSTOOD THE INHERENT DANGERS.**

♦ **CHILDREN MUST BE MONITORED TO ENSURE THEY DO NOT PLAY WITH THE APPLIANCE.**

- ◆ ANY CLEANING AND MAINTENANCE WORK INTENDED TO BE CARRIED OUT BY THE USER MUST NOT BE PERFORMED BY CHILDREN WITHOUT SUPERVISION.
- ◆ DO NOT TOUCH THE GENERATOR IF YOU ARE BAREFOOT AND OR WITH ANY PART OF YOUR BODY THAT IS WET OR DAMP.
- ◆ IT IS FORBIDDEN TO MODIFY THE APPLIANCE IN ANY WAY.
- ◆ DO NOT PULL, UNPLUG OR TWIST THE ELECTRICAL CABLES PROTRUDING FROM THE PRODUCT EVEN IF IT IS DISCONNECTED FROM THE POWER SUPPLY.
- ◆ IT IS RECOMMENDED TO POSITION THE POWER SUPPLY CABLE IN A WAY THAT IT DOES NOT COME INTO CONTACT WITH HOT PARTS OF THE APPLIANCE.
- ◆ THE POWER SUPPLY PLUG MUST BE ACCESSIBLE AFTER INSTALLATION.
- ◆ DO NOT CLOSE OR REDUCE THE SIZE OF THE AIR VENTS IN THE PLACE OF INSTALLATION. THE AIR VENTS ARE INDISPENSABLE FOR CORRECT COMBUSTION.
- ◆ DO NOT LEAVE THE PACKAGING ELEMENTS WITHIN REACH OF CHILDREN OR UNASSISTED DISABLED PERSONS.
- ◆ THE COMBUSTION CHAMBER DOOR MUST ALWAYS BE CLOSED WHEN THE STOVE IS OPERATING AND MUST ONLY BE OPENED TO ADD FUEL, LIGHT AND CLEAN IT.
- ◆ WHEN THE APPLIANCE IS FUNCTIONING AND HOT TO THE TOUCH, ESPECIALLY ALL EXTERNAL SURFACES, ATTENTION MUST BE PAID
- ◆ CHECK FOR THE PRESENCE OF ANY OBSTRUCTIONS BEFORE SWITCHING THE APPLIANCE ON FOLLOWING A PROLONGED STANDSTILL PERIOD.
- ◆ THE GENERATOR HAS BEEN DESIGNED TO AUTOMATICALLY ADJUST IN SPECIFIC OPERATING CONDITIONS.
- ◆ THE GENERATOR IS DESIGNED TO OPERATE IN ANY CLIMATE CONDITIONS. IN THE EVENT OF EXTREME WEATHER CONDITIONS (STRONG WIND, FROST), THE SAFETY SYSTEM MAY BE TRIGGERED AND THE GENERATOR SWITCHED OFF. IF THIS OCCURS, CONTACT THE TECHNICAL AFTER-SALES SERVICE AND ALWAYS DISABLE THE SAFETY SYSTEM.
- ◆ IF THE FLUE SHOULD CATCH FIRE, BE EQUIPPED WITH SUITABLE SYSTEMS FOR SUFFOCATING THE FLAMES OR REQUEST HELP FROM THE FIRE SERVICE.
- ◆ THIS APPLIANCE MUST NOT BE USED TO BURN WASTE

- ◆ NEVER USE PETROL, KEROSENE, LIGHTER FUEL, ETHANOL OR SIMILAR LIQUIDS TO START OR “RELIGHT” THE GENERATOR.
- ◆ DO NOT ALLOW THE BAG OF PELLETS TO COME INTO CONTACT WITH THE PRODUCT DURING THE FILLING PHASE.
- ◆ THE MAJOLICAS ARE TOP QUALITY ARTISAN PRODUCTS AND AS SUCH CAN HAVE MICRO-DOTS, CRACKLES AND CHROMATIC IMPERFECTIONS. THESE FEATURES HIGHLIGHT THEIR VALUABLE NATURE. DUE TO THEIR DIFFERENT DILATION COEFFICIENT, ENAMEL AND MAJOLICA PRODUCE CRACKLING, WHICH DEMONSTRATE THEIR EFFECTIVE AUTHENTICITY. TO CLEAN THE MAJOLICAS, IT IS RECOMMENDED TO USE A SOFT, DRY CLOTH. IF A DETERGENT OR LIQUID IS USED, THE LATTER COULD PENETRATE THE CRACKLES, THEREBY MAKING THEM SHOW MORE.
- ◆ SINCE THE STOVE CAN BE LIT INDEPENDENTLY BY THE CHRONOTHERMOSTAT, OR REMOTELY USING THE DEDICATED APPS, IT IS STRICTLY FORBIDDEN TO LEAVE ANY COMBUSTABLE OBJECT WITHIN THE SAFETY DISTANCES INDICATED ON THE RATING LABEL.
- ◆ THE INTERNAL PARTS OF THE COMBUSTION CHAMBER ARE SUBJECT TO VISIBLE WEAR BUT THIS DOES NOT COMPROMISE THEIR FUNCTIONALITY.

ROUTINE MAINTENANCE

Based on the Decree 22 January 2008 n°37 art.2, routine maintenance means interventions aimed at reducing degradation from normal use, as well as dealing with accidental events entailing the need of first interventions, which however do not modify the structure of the system upon which one is intervening or its intended use according to the prescriptions foreseen by technical standards in force and by the manufacturer's use and maintenance booklet.

INSTALLATION

GENERAL

The flue extraction and hydraulic connections must be carried out by qualified personnel who must issue documentation of conformity according to the regulations of the country of installation.

The installer must give the owner or their representative, the declaration of system conformity, in accordance with current legislation, including:

- 1) the use and maintenance manual of the appliance and of the system components (such as for example, the smoke ducts, chimney, etc.);
- 2) photocopy or photograph of the chimney plaque;
- 3) system booklet (where applicable).

Request a receipt from the installer stating that the documentation has been provided, and keep it with a copy of the technical documentation about the installation.

If installed in a condominium, the administrator must be consulted beforehand.

If necessary, check the exhaust fume emissions after installation. Any inspection point included should be watertight.

COMPATIBILITY

Installation in premises with fire hazards is forbidden. Installation in residential premises where the following situations occur is also prohibited:

1. where there are liquid fuel-operated appliances with continuous or intermittent operation, which draw the combustion air in the room in which they are installed.
2. where there are type B gas appliances intended for room heating, with or without production of DHW and in adjacent and adjoining premises.
3. where, in any case, the pressure difference measured during installation between the internal and external environment is greater than 4 Pa.

N.B.: Watertight appliances can also be installed in the cases indicated by points 1, 2 and 3 of this paragraph.

INSTALLATIONS IN BATHROOMS, BEDROOMS AND STUDIO FLATS

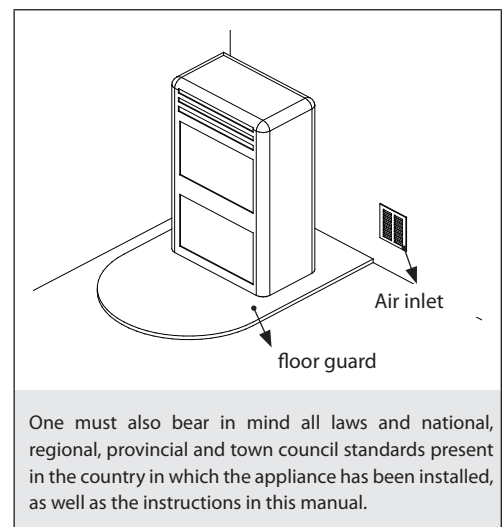
Installation in bathrooms, bedrooms and studio flats is only allowed for sealed or closed hearth appliances with ducted combustion air taken from the outside.

POSITIONING AND SAFETY DISTANCE

Surfaces and/or support points must have a load-bearing capacity that can support the total weight of the appliance, accessories and covers. If the floor consists of combustible material, a guard made of non-combustible material **MUST** also be used to protect the front from any burning parts that fall during routine cleaning operations and wood loading. The generator must be on the level for correct operation. We suggest using non-combustible material for the side and rear walls and support surface on the floor.

MINIMUM DISTANCES

Installation next to combustible or heat-sensitive materials is allowed **provided that they are placed at a safe distance as indicated on the label at the beginning of the manual (pages 2-3)**. For non-flammable materials, a distance of at least 100 mm must be maintained on the sides and at the rear.



MAINTENANCE PREPARATION

Extraordinary maintenance of the product may require spacing from adjacent walls. This operation must be carried out by a technician who is qualified to disconnect the flue gas evacuation ducts and subsequent connection. For generators connected to the plumbing system, a connection must be provided between the system and the stove that allows the generator to be moved at least 1 meter away from adjacent walls during extraordinary maintenance work performed by a qualified technician.

APPLIANCE CATEGORIES	PERCENTAGE OF THE NET OPENING SECTION WITH RESPECT TO THE APPLIANCE FUMES OUTLET SECTION	MINIMUM NET OPENING VALUE OF THE VENTILATION DUCT
Bi-fuel stove (pellet and wood)	50%	100 cm ²

The difference in pressure between the generator installation rooms and the exterior must always be ≥ -4 Pa under any condition (e.g. -3 Pa is an acceptable value), including in the presence of extraction hoods and/or controlled forced ventilation systems.

If the stove is installed hermetically, it can be placed (in the same room or communicating rooms) with gas/type-B diesel appliances provided that an additional vent in the room is added with a net cross-section of less than 60 cm².

The air inlets must meet the following requirements:

- ♦ they must be protected with grids, metal mesh, etc., but without reducing the net useful section;
- ♦ they must be made so as to make the maintenance operations possible;
- ♦ positioned so that they cannot be obstructed;

The inflow of clean, uncontaminated air can also be obtained from a room next to the installation room (indirect ventilation and aeration) as long as this flow can occur freely through permanent openings communicating with the outside;

The adjacent room cannot be used as a garage, warehouse for combustible material or for any other activity with a fire hazard, bathroom, bedroom or common room of the building;

FLUE DISCHARGE

The heat generator works under a vacuum and is fitted with an outlet fan for fumes extraction. The exhaust system must be used by the generator only. No flue discharges shared with other devices are allowed.

The components of the flue gas evacuation system for combustion products must be chosen and sized in accordance with current regulations, depending on the specific situation at the place of installation.

The following checks are recommended:

- ♦ The flue system must be assessed in accordance with the following technical standards (where applicable): EN 15287-1, EN 15287-2, EN 13063-1, EN 13063-2, EN 1457, EN 1806, EN 1856-1, EN 1856-2 and EN 13384-1;
- ♦ The correct operation of the flue system must be checked in accordance with the EN 13384-2 standard based on the specific situation at the place of installation;
- ♦ The installation of watertight appliances must also take the EN 13063-3 and EN 14989-2 standards into account;
- ♦ The length of the horizontal section should be minimal and, in any case, no longer than 2 metres, with a minimum upward gradient of 3%;
- ♦ There must be no more than four direction changes including the one with the "T" element;
- ♦ A "T" fitting with a condensation collection cap must be included at the base of the vertical section;
- ♦ The vertical pipe can be on the inside or outside of the building. If the flue is fitted in an existing chimney, it must be certified for solid fuels;
- ♦ If the flue is on the outside of the building, it must always be insulated;
- ♦ The flue must have at least one sealed outlet for possible fume sampling;
- ♦ All the sections of the flue pipe must be accessible for inspection;
- ♦ Inspection openings must be included for cleaning;

If metal pipes are used, they must comply with the following requirements (EN 1856-1 and EN1856-2):

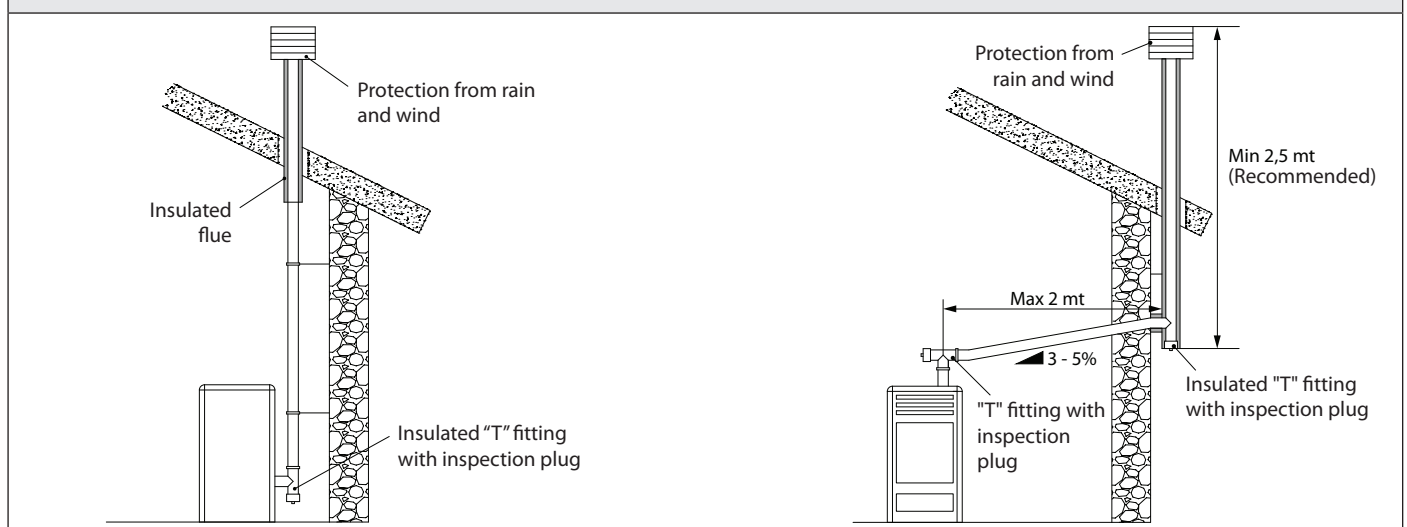
- ♦ Flue - Temperature class, at least T 400 G (as indicated in the technical datasheet) soot fire resistance
- ♦ Flue pipe - Temperature class, at least T250, Pressure class, P1 (not indicated in the technical datasheet)

CHIMNEY COWL

The chimney caps must meet the following requirements:

- ♦ they must have a useful outlet section no less than double of that of the chimney/ducted system on which it is installed;
- ♦ they must be adapted in order to prevent the penetration of rain and snow in the chimney/ducted system;
- ♦ they must be installed in such a way that, regardless of wind direction or angle, the expulsion of flue gases is always guaranteed;

EXAMPLES OF CORRECT CONNECTION TO THE CHIMNEY



CONNECTION TO THE ELECTRICITY GRID

The generator is supplied with a power cable for connection to a 230V 50 Hz socket, possibly with a circuit breaker. The power socket must be easily accessible.

The electrical system must be compliant; check the efficiency of the grounding circuit in particular. Inadequate grounding of the system can cause a malfunction for which the manufacturer is not responsible.

Power fluctuations over 6% may cause the stove to malfunctions.

HERMETICALLY SEALED INSTALLATION

The generator is a fully sealed product with respect to the environment in which it is installed. This means that it is ideal for passive houses because it does not take air in from within the house.

COMBUSTION AIR

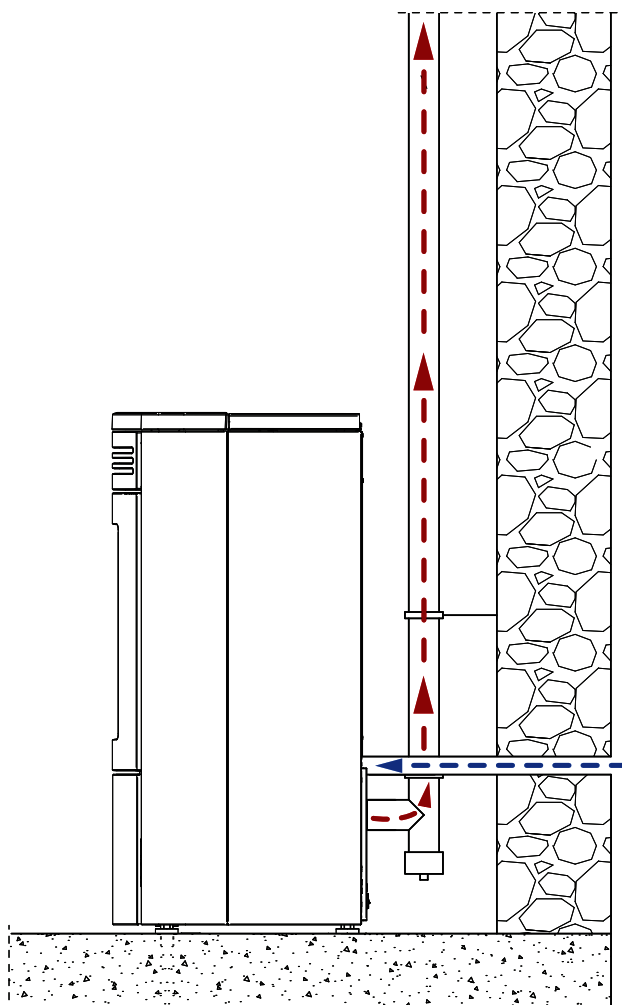
To ensure the stove remains hermetically sealed, the connection pipe for the combustion air must be directly connected to the exterior, using special pipes and sealed fittings.

INTERNAL PIPE DIAMETER (mm)	TYPE OF PIPE	NO. 90° CURVES	PIPE LENGTH (m)
120	PVC, aluminium, stainless steel	1	10
120	Metal/non-metal flexible	1	8
120	PVC, aluminium, stainless steel	0	14
120	Metal/non-metal flexible	0	11

FUMES EXHAUST SYSTEM

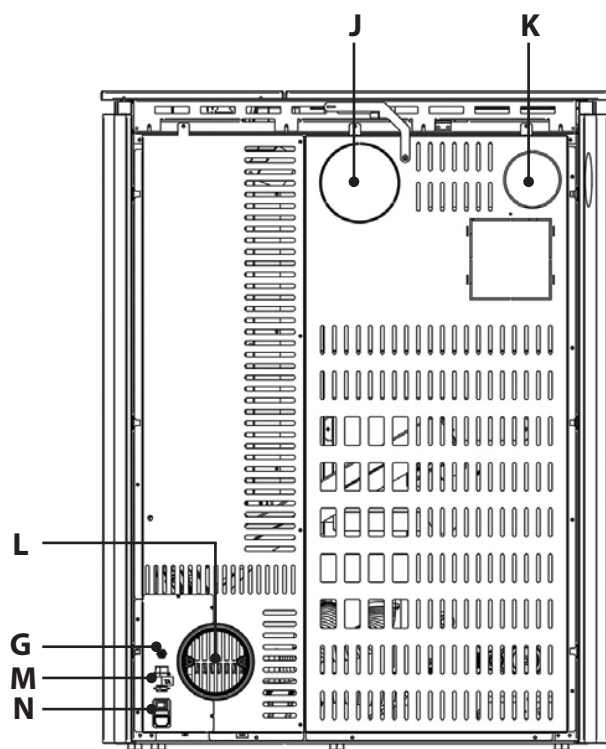
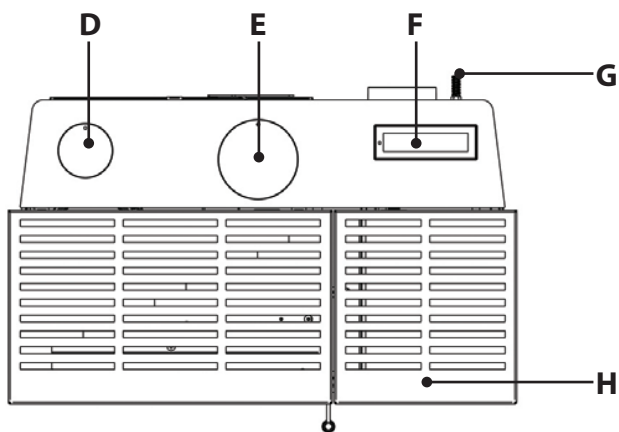
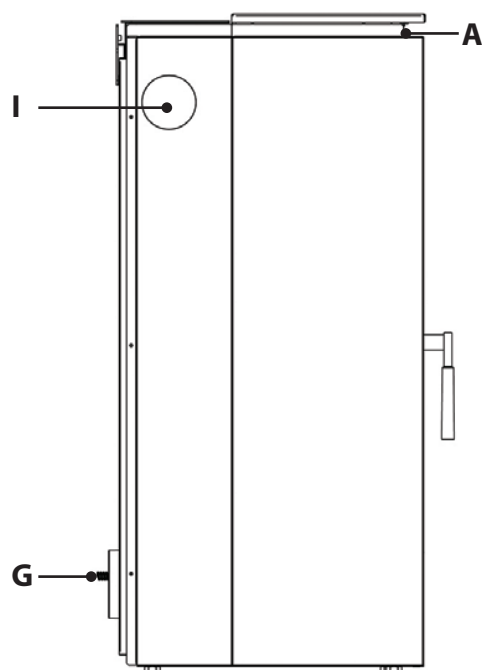
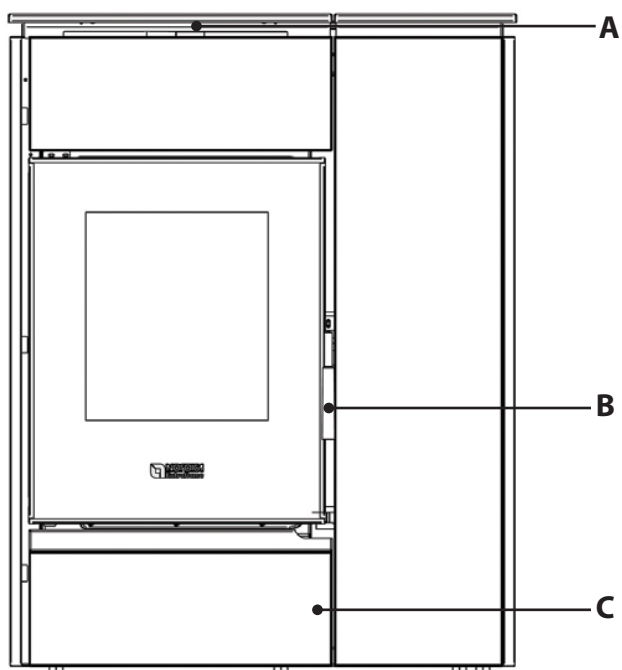
EXHAUST AIR INSTALLATION WITH COAXIAL PIPE IS NOT PERMITTED.

INSTALLATION EXAMPLE



One must also bear in mind all laws and national, regional, provincial and town council standards present in the country in which the appliance has been installed, as well as the instructions in this manual.

MARGARET GRES - MARGARET PETRA DETAILS

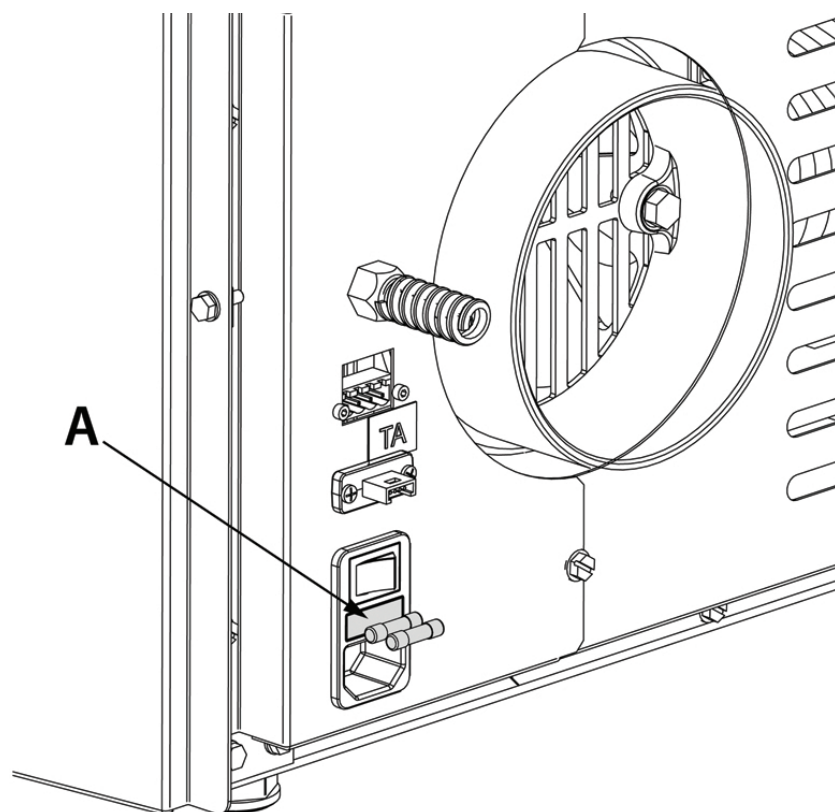


A	Room air outlet	F	Display	K	Ducting outlet rear *
B	Access to combustion chamber and ash compartment	G	Room probe	L	Combustion air inlet
C	Access to ash drawer	H	Pellet hopper	M	TA additional thermostat input
D	Upper ducting outlet *	I	Side ducting outlet *	N	On/Off Fuse 230 V power supply
E	Upper flue gas outlet	J	Rear flue gas outlet		

* Optional - air ducting kit

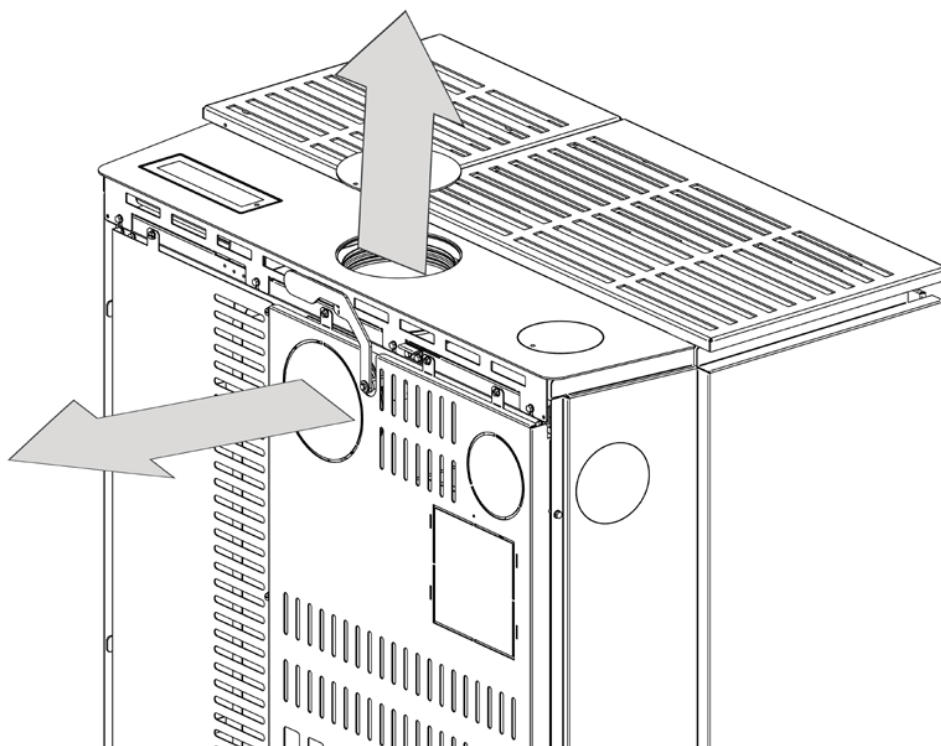
FUSE

If the stove is not powered, have the condition of the fuse (A) checked by a qualified technician.



FLUE GAS OUTLET

The stove configuration requires the fumes exhaust to be at the top (factory configuration); it is possible to change the position from the top to the bottom by following the indications outlined in the booklet attached to the stove documentation.



ADDITIONAL THERMOSTAT (NOT SUPPLIED)

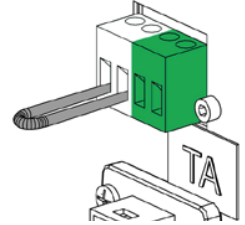
The appliance can control the room temperature via an additional thermostat (NOT SUPPLIED) excluding the room probe installed as standard in the stove. Management of an NTC 10K probe is not included.

The temperature is set directly on the additional thermostat and no longer by the stove display.

When the temperature set on the additional thermostat is reached, the stove works at minimum power, MODULATION is displayed or switches off if STAND BY is set to ON.

INSTALLATION PROCEDURE

- ◆ An additional thermostat with an NO "normally open" contact required.
- ◆ Disconnect the stove from the mains electricity, remove the plug from the power socket.
- ◆ Using the green terminal in the figure to the side as a reference, connect the two thermostat cables (clean contact - no 230 V!).
- ◆ Power the stove.
- ◆ See AUX setting from the MODES (power management) chapter



THE ADDITIONAL THERMOSTAT MUST BE INSTALLED BY QUALIFIED PERSONNEL AND/OR BY THE MANUFACTURER'S TECHNICIANS.

OPTIONAL ACCESSORIES

HOT AIR DUCTING KIT (OPTIONAL ACCESSORY)

Refer to the instructions in the kit for installation.

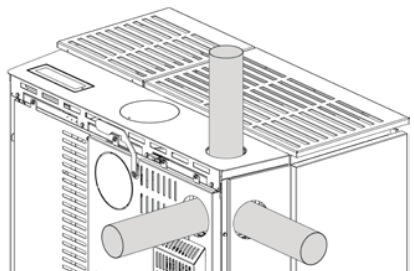
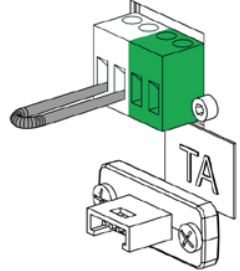


THE MOTOR AND RELEVANT HOT AIR DUCTING PIPE MUST BE INSTALLED BY QUALIFIED PERSONNEL AND/OR BY THE MANUFACTURER'S TECHNICIANS.



AFTER INSTALLING THE AIR DUCTING, ENABLE THE USER INTERFACE FROM THE AIR DUCTING MENU.

AIR DUCTING FEATURES

<ul style="list-style-type: none"> ◆ Rear or top or left side outlet ◆ Diameter of air ducting outlet: 80 mm ◆ Maximum recommended air ducting length 8 m 	
<ul style="list-style-type: none"> ◆ Possibility to thermostat the ducting 	<p>The factory setting is for the ducting to emit hot air into the ducted room without managing the temperature. It is possible to control the ducted room temperature by installing a thermostat (not supplied) or an NTC 10K probe (not supplied). Air ducting switches off whenever the temperature of the external thermostat or NTC probe are met.</p> 
<ul style="list-style-type: none"> ◆ 4 possible ventilation settings 	<p>There are 4 possible ventilation settings: OFF, QUIET, REGULAR, BOOST with different acoustic comfort levels (see VENTILATION in the SETTINGS chapter FOR THE FIRST IGNITION).</p>
<ul style="list-style-type: none"> ◆ AIR ZONE CONTROL mode ◆ (for pellet operation only) 	<p>The stove will optimise the adjustments so that the sending of heat to the ducting is prioritised, but only after the set temperature for the main room has been reached.</p>
<ul style="list-style-type: none"> ◆ Setting and controls procedure 	<p>(see the AIR DUCTING chapter)</p>

ALLOWED / NOT ALLOWED FUELS

WOOD

Allowed fuels are logs. Use exclusively dry logs (max. content of water 20%). Maximum 3 logs should be loaded. The pieces of wood should have a length of ca. 20-30 cm and a maximum circumference of 30-35 cm.

COMPRESSED NOT WORKED-OUT WOOD BRIQUETTES MUST BE USED CAREFULLY TO AVOID OVERHEATING THAT MAY DAMAGE THE DEVICE, SINCE THESE HAVE A VERY HIGH CALORIFIC VALUE.

The wood used as fuel must have a humidity content lower than the 20% and must be stored in a dry place. Humid wood tends to burn less easily, since it is necessary a greater quantity of energy to let the existing water evaporate. Moreover, humid content involves the disadvantage that, when temperature decreases, the water condensates earlier in the hearth and therefore in the stack causing a remarkable deposit of soot with following possible risk of fire of the same.

Fresh wood contains about 60% of H₂O, therefore it is not suitable to be burnt.

It is necessary to place this wood in a dry and ventilated place (for example under a roofing) for at least two years before using it.

BESIDES OTHERS, IT IS NOT POSSIBLE TO BURN: CARBON, CUTTINGS, WASTE OF BARK AND PANELS, HUMID WOOD OR WOOD TREATED WITH PAINTS, PLASTIC MATERIALS; IN THIS CASE, THE WARRANTY ON THE DEVICE BECOMES VOID.

PAPER AND CARDBOARD MUST BE USED ONLY TO LIGHT THE FIRE.

THE COMBUSTION OF WASTE IS FORBIDDEN AND WOULD EVEN DAMAGE THE APPLIANCE AND THE FLUE, CAUSING HEALTH DAMAGES AND CLAIMS BY THE NEIGHBORHOOD OWING TO THE BAD SMELL.

The wood is not a fuel which allows a continuous operation of the appliance, as consequence the heating all over the night is not possible.

Variety	kg/m ³	kWh/kg moistness 20%
Beech	750	4,0
Oak	900	4,2
Elm	640	4,1
Poplar	470	4,1
Larch*	660	4,4
Spruce*	450	4,5
Scots pine *	550	4,4

* RESINOUS WOOD NOT RECOMMENDED



ATTENTION : THE CONTINUOUS AND PROTRACTED USE OF AROMATIC WOOD (EUCALYPTUS, MYRTLE ETC.) QUICKLY DAMAGES THE CAST IRON PARTS (CLEAVAGE) OF THE PRODUCT.

The declared technical data have been achieved by burning beech wood class "A1" according to the requirement UNI EN ISO 17225-5 and wood moisture content less than 20%. By burning a different kind of wood the efficiency of the product itself could change and some specific adjustments on the appliance could be needed.

PELLET

Pellets are made by subjecting wood shavings i.e. the rejects of pure unpainted wood from sawmills, carpentry products and products from other activities connected to wood working and transformation, to very high pressures.

This type of fuel is fully ecological as no glues are used for its compaction. In fact, pellet compactness is guaranteed over time by a natural substance found in wood: lignin.

In addition to being an ecological fuel, making best use of wood residue, pellets also have a series of technical advantages.

While wood has a calorific value of 4.4 kWh/kg (with 15% moisture, therefore after approximately 18 months of curing), that of pellets is 5 kWh/kg.

Pellet density is about 650 kg/m³ and water content is equal to 8% of its weight. For this reason pellets do not need to be cured to obtain a sufficient heat yield.

The pellets used must be class **A1** certified according to standard **ISO 17225-2 (ENplus-A1, DIN Plus or NF 444** of the following category: "High quality NF biocombustible wood pellets").

UNI EN 303-5 with the following characteristics: water content ≤ 12%, ash content ≤ 0.5% and lower calorific value >17 MJ/kg (in the case of boilers).

The Manufacturer recommends using pellets with a diameter of 6mm with its products.

PELLET STORAGE

To guarantee combustion without problems, the pellets must be kept in a dry place.

Open the tank lid and load the pellets using a scoop.



THE USE OF POOR QUALITY PELLETS OR ANY OTHER MATERIAL WILL COMPROMISE STOVE FUNCTIONS, VOIDING THE WARRANTY AND RELEASING THE MANUFACTURER OF LIABILITY.

OPERATION

NOTES FOR CORRECT OPERATION

Before lighting the stove, the following must be checked:

- ♦ The pellet container cover must be kept closed at all times. It must only be opened during the loading phase.
- ♦ The fire door must be kept closed at all times. It must only be opened during the loading phase.
- ♦ Make sure that there are pellets in the hopper which are needed for pellet operation, to switch from wood to pellet operation, and for hybrid ignition.
- ♦ The drawers for collecting ash must be inserted.
- ♦ Check that the cleaning has been carried out by the user (see the "Periodic cleaning under user's responsibility" chapter).

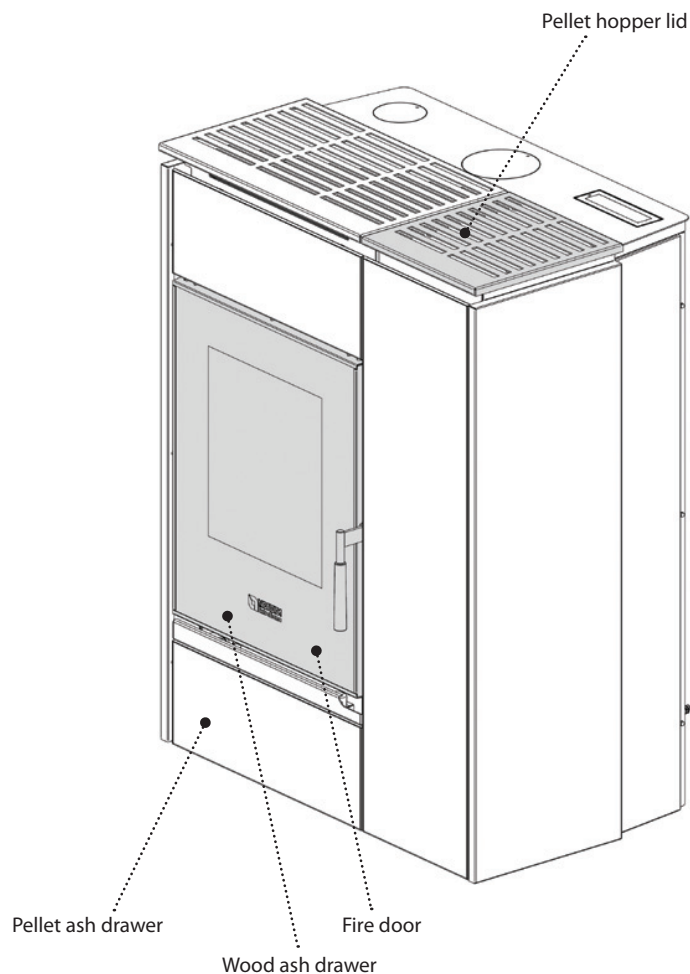


REMEMBER:

- ♦ DO NOT PLACE THE BAG DIRECTLY ON THE STOVE WHEN LOADING THE HOPPER!
- ♦ ALWAYS USE A SCOOP TO LOAD THE HOPPER.
- ♦ DO NOT RUB OR PLACE WEIGHTS ON THE HOPPER SEAL.
- ♦ KEEP THE HOPPER COVER SEAL SUPPORT SURFACE CLEAN AT ALL TIMES.
- ♦ CHECK THE CONDITION OF THE HOPPER COVER SEAL FREQUENTLY. IN CASE OF DETERIORATION, CONTACT YOUR LOCAL AUTHORISED TECHNICIAN.



CAUTION: THE BAGS OF PELLETS MUST BE KEPT AT LEAST 1.5 METRES AWAY FROM THE STOVE.



HOW TO OPERATE THE STOVE

The stove must be connected to the mains with the switch in position (I) in order to operate. It must be used according to the instructions in this manual.

There are 2 operating modes:

WOOD OPERATION and **PELLET OPERATION** with the possibility of switching from one mode to the other.

The switch from WOOD to PELLETT operating mode occurs automatically but not the other way around.

The switch from PELLETT to WOOD can be confirmed every time the load door is closed.



THE MESSAGE "WOOD INSERTED" IS DISPLAYED AFTER TIME THE LOAD DOOR IS OPENED AND CLOSED IF CONFIRMATION IS GIVEN BY PRESSING THE OK KEY ON THE DISPLAY, THIS FLASHING OR FIXED SYMBOL "🏠" CONFIRMS THAT THE STOVE IS SWITCHING TO WOOD MODE AND THE WOOD MEMORY FUNCTION IS ENABLED. EVEN IF CONFIRMATION IS NOT GIVEN, THE SWITCH OCCURS AUTOMATICALLY AFTER 60 SECONDS.

TO RETURN TO PELLETT MODE, OPEN AND CLOSE THE DOOR AGAIN AND ANSWER NO TO THE QUESTION WOOD INSERTED USING THE + OR - KEYS ON THE DISPLAY, CONFIRMING WITH OK.



SIMULTANEOUS OPERATION USING THE TWO FUELS IS NOT ALLOWED, OTHER THAN IN THE SWITCHING PHASES.

HOW TO LOAD THE WOOD

The machine's power in wood mode is controlled by setting the desired power on the display; this means that the wood will burn faster or slower based on the:

- ◆ Power setting input on the display
- ◆ Quantity of wood inserted in the firebox
- ◆ Quantity of embers in the firebox.

If power 5 is set, the wood will be consumed more quickly compared to lower power settings where the minimum level that can be set is power 1.

TABLE SHOWING THE CORRESPONDENCE BETWEEN POWER - WEIGHT

Power 1	About 1 kg of wood
Power 2	About 1.2 kg of wood
Power 3	About 1.5 kg of wood
Power 4	About 1.7 kg of wood
Power 5	About 2.0 kg of wood

Different loads of wood (compared to the table) will be automatically managed while maintaining stove safety.

IGNITION

The three modes for igniting the stove are explained below.

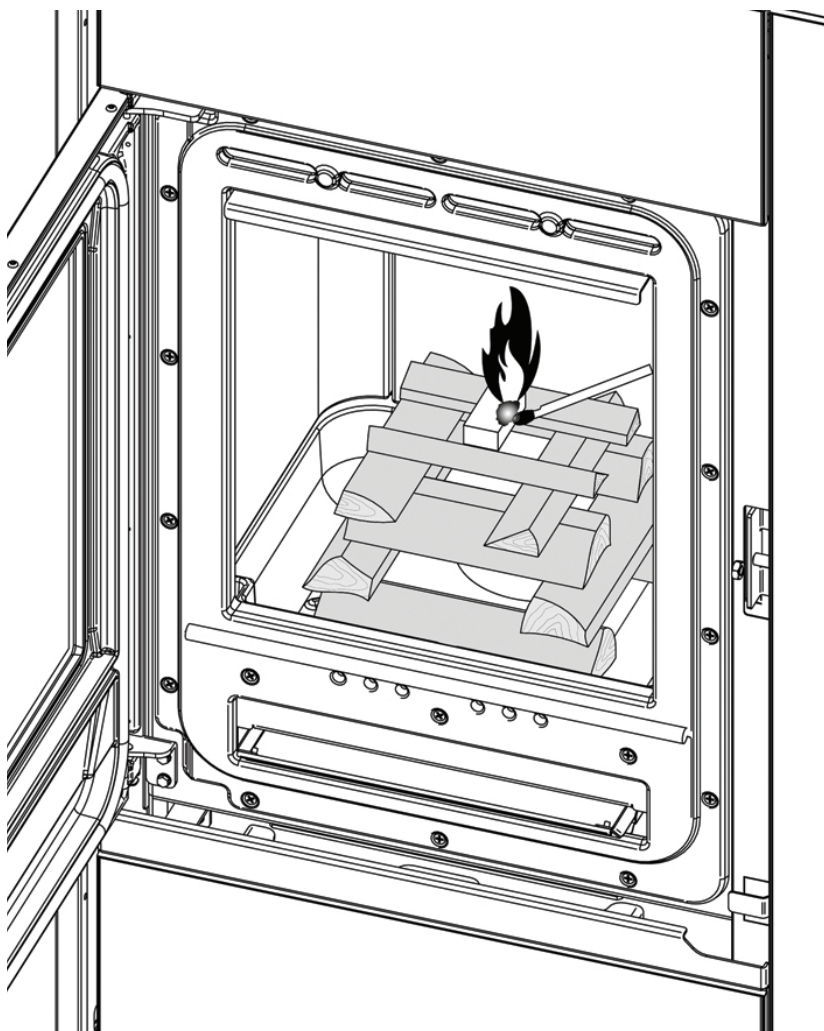
MANUAL IGNITION (LIGHTING THE WOOD WITH MANUAL IGNITION)

Start with the stove powered on with the switch in position (I) and OFF on the display:

Open the fire door and load the wood, arranging it on the burn pot starting with the largest pieces on the bottom and the smallest on the top.

How to light the firelighting material.

(Scan the QR code to see the video)




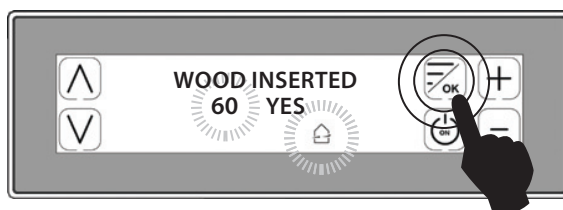
Close the door and press OK to confirm the question "WOOD INSERTED - YES -" if the wood has been loaded.

If no choice is confirmed, it is the same as having pressed OK to confirm.

The fumes extractor starts for a set time to facilitate the ignition of the wood.

IMPORTANT: OFF continues to be displayed until the firebox is heated.

Once heated, the message WOOD START appears on the display and the  symbol starts to flash indicating that the ignition phase has started.



HYBRID IGNITION (LIGHTING THE WOOD BY BURNING PELLETS)

HYBRID PREPARATION burns pellets to light the wood.

Open the door, load the wood and arrange it as shown in figure **A** (3 pieces of kindling); load the up to the maximum amount in kg of the nominal load indicated in the chapter WOOD LOADING MODE.

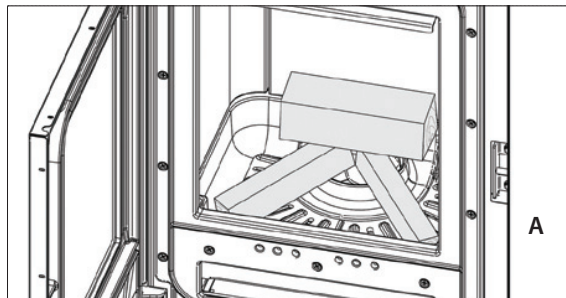
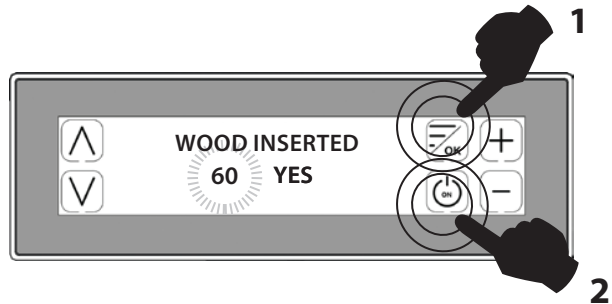
1 - Close stove door and press OK to confirm the question "WOOD INSERTED - YES -".

If no choice is confirmed, it is the same as having pressed OK to confirm. The flashing "🏠" icon is displayed indicating that the wood has been loaded

2 - Press ON for 3 seconds for ignition. The message START is then displayed for about 10 seconds.

The ignition command can also be given from the App or by setting the chronothermostat (see CHRONO chapter).

(Scan the QR code to see the video)



The stove then cycles through the phases shown on the display in this order:

- ♦ PELLET LOADING = pellet loading into the burn pot
- ♦ IGNITION = flame ignition phase
- ♦ HYBRID PREPARATION = The ignition phase of the wood logs in progress using the pellets which are already burning.

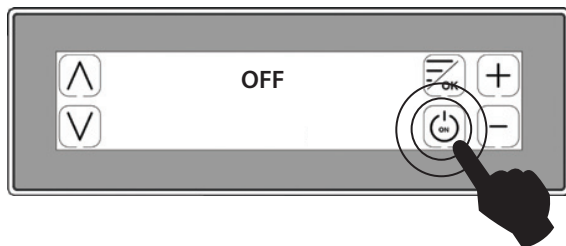


PELLET IGNITION (IGNITION FOR PELLETT OPERATION MODE)

Start with the device powered on, with the switch in position (I), and OFF on the display:

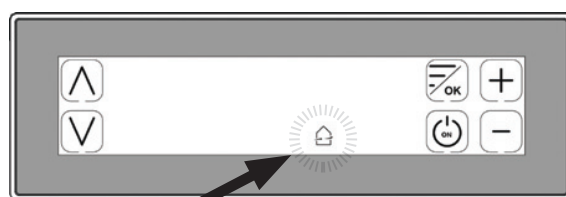
Press ON for 3 seconds to light the stove.

By default, the stove is set to MANUAL MODE, power 5. See the MODES chapter to change the power setting



The stove then cycles through the following phases shown on the display in this order:

- ♦ START = phase lasting about 10 seconds
- ♦ PELLET LOADING = pellet loading into the burn pot
- ♦ IGNITION = flame ignition phase
- ♦ PREPARATION = preparation phase for the work phase
- ♦ WORK = the stove operates at the POWER input by the user, heating the room using the VENTILATION set by the user



CAUTION if this "WOOD MEMORY" symbol is displayed, it means that the stove is switching to WOOD mode. To return to PELLETT mode, open and close the door again and answer NO to the question WOOD INSERTED using the + or - keys. Press OK to confirm.


WOOD OPERATION

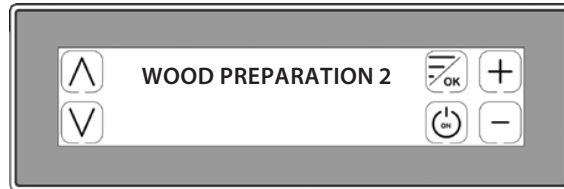
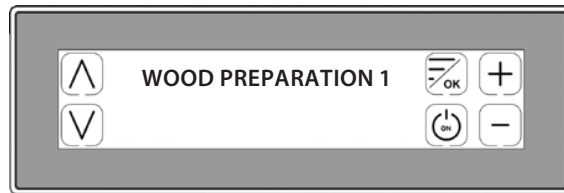
This comes after the ignition phase (whether manual or hybrid), and includes the following phases for wood operation.

WOOD PREPARATION 1 and WOOD PREPARATION 2

The stove automatically adjusts the baffles and the fumes extractor to reach the control temperatures by displaying WOOD PREPARATION 1 and on reaching the temperature WOOD PREPARATION 2.

(The hotter the burn pot, the shorter the switch-over time)

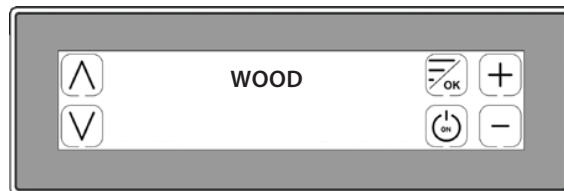
When the combustion temperature has been reached and stabilised, the stove switches to WOOD .



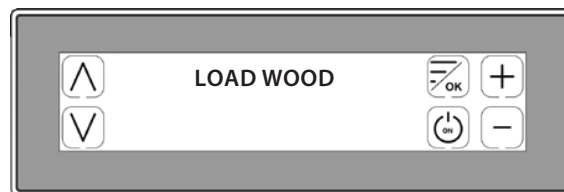
WOOD

In "WOOD" function, the stove adjusts the fan based on the set power (P1, P2, P3, etc.).

With the consumption of the fuel and subsequent drop in temperature, the stove decreases the set power to the minimum power P1.



When the wood in the firebox is about to run out, the message "LOAD WOOD" is displayed.



LOAD WOOD

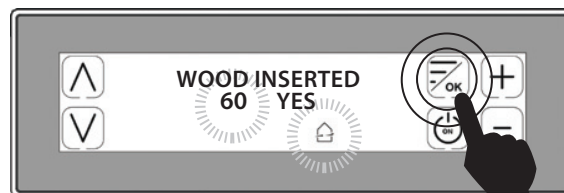
Open the door and load the wood that must be arranged on top of the layer of embers near the glass (see image on the right); avoid placing the logs over the pellet burn pot hole.

Close the stove door and press OK to confirm the question "WOOD INSERTED - YES -".

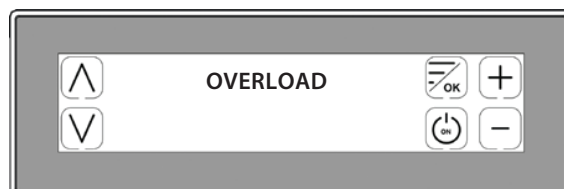
If no choice is confirmed, it is the same as having pressed OK to confirm.

The stove switches to WOOD PREPARATION 2 to optimise the ignition of the new load and then, switches to WOOD, when the temperature has been reached and stabilised.

If no wood is loaded and REIGNITION mode is set to OFF, the combustion chamber cools down and automatically switches off and "OFF" is shown on the display.



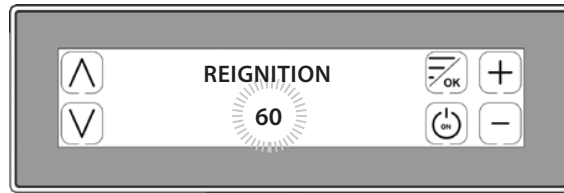
If too much wood is loaded, the message "OVERLOAD" is displayed and the stove automatically adjusts the combustion parameters to maintain safety.



WOOD TO PELLET OPERATION

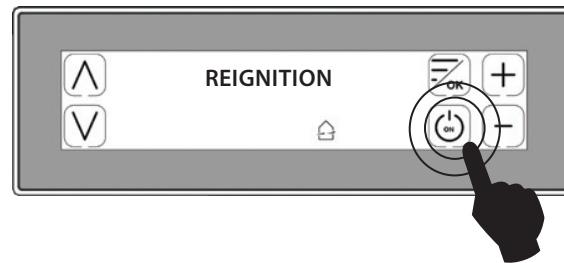
The switch from WOOD to PELLET firing can be managed in the following two ways:

- ♦ automatically by enabling the REIGNITION function; (refer to the REIGNITION chapter for the setting)



or:

- ♦ by the "WOOD PREPARATION 1", "WOOD PREPARATION 2", and "WOOD" states, by pressing and holding the ON key for "3 seconds"; in this case, reignition occurs in the shortest time possible while maintaining the stove in safety. The wood status at the time will be shown on the display with the message "REIGNITION". To cancel the scheduled reignition, just press ON again for 3 seconds.

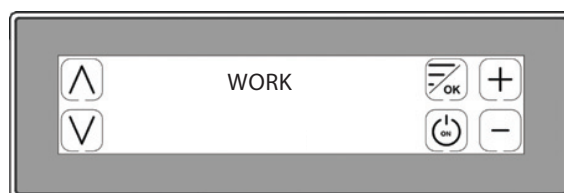


PELLET OPERATION

This comes after the PELLET ignition phase, and includes the following operation phases.

WORK

The stove operates at the POWER input by the user, heating the room using the VENTILATION set by the user.

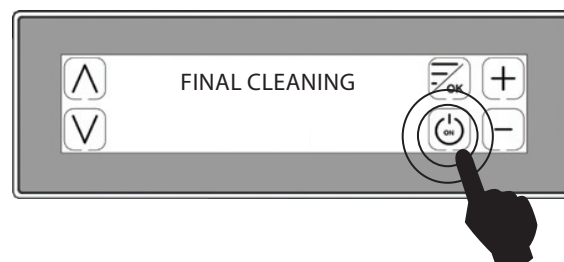


SWITCH-OFF

Press ON for three seconds.

Once this operation has been performed, the stove automatically enters the FINAL CLEANING phase, halting the pellet feed.

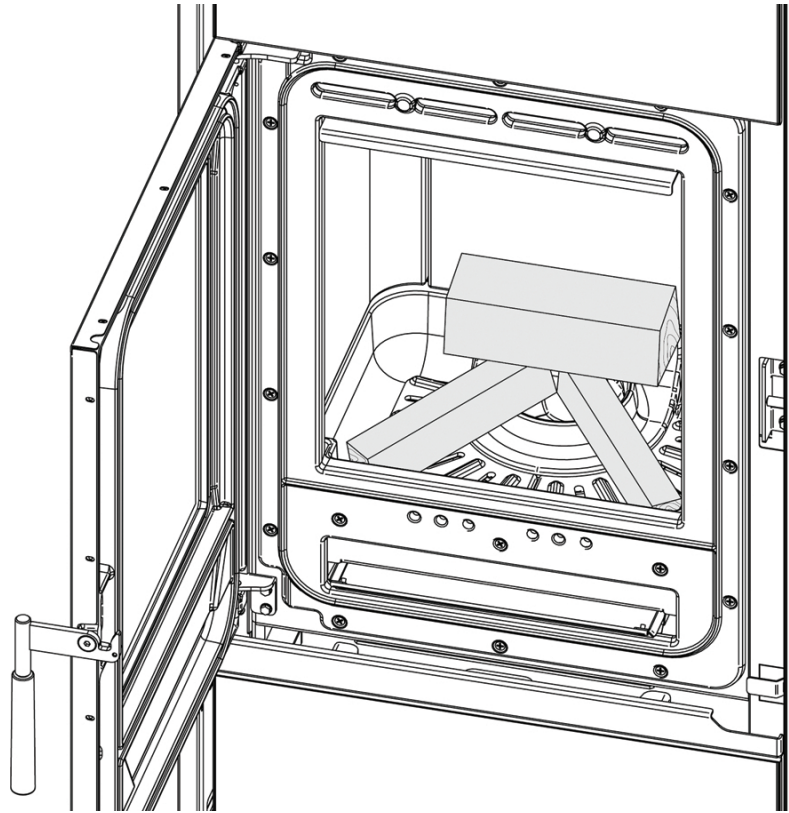
The flue gas exhaust motor and the hot air flow motor will remain on until the stove temperature has dropped below the safety settings.



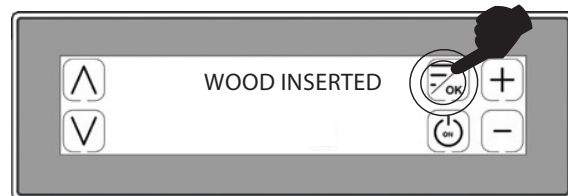
FROM PELLET TO WOOD OPERATION

The switch from PELLET to WOOD can be confirmed every time the load door is closed.

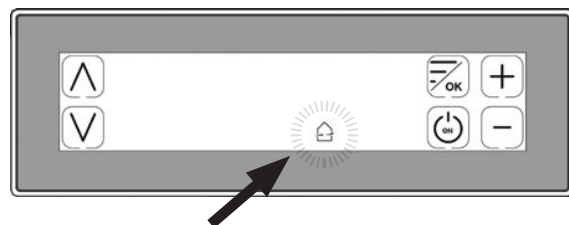
Open the door, load the wood and arrange it as shown in the figure (3 pieces of kindling); load up to the maximum amount in kg of the nominal load indicated in the HOW TO LOAD THE WOOD chapter.



After closing the door, the message "WOOD INSERTED" appears on the display, use the + or - keys to answer YES, then press OK to confirm.



After pressing OK to confirm, the stove automatically switches to the HYBRID PREPARATION status. The phases described in the WOOD OPERATION chapter then follow.



CAUTION if this "WOOD MEMORY" symbol is displayed, it means that the stove is switching to WOOD mode. To return to PELLET mode, open and close the door again and answer NO to the question WOOD INSERTED using the + or - keys. Press OK to confirm.

It is also possible to reset the wood memory by pressing and holding the ON key for 3 seconds during the "HYBRID PREPARATION" phase

WOOD OPERATION WITHOUT AN ELECTRICAL CURRENT (ONLY IN THE EVENT OF AN EMERGENCY)

The stove must be connected to the mains with the switch in position (I) in order to operate. In the event of an emergency (i.e. a prolonged blackout), it can also be used without an electrical current using wood logs. **In the case of hermetic installation, it is not permitted to use the machine in wood operation in the absence of electricity. It must remain switched off and wait for the electricity to be restored.**

If the blackout is short, the stove automatically manages the malfunction without the need for user intervention.

Let's see how to manage the stove without an electrical current based on the stove status at the time of the power outage (blackout).

STOVE OPERATING WITH WOOD (OR ONE OF ITS STATES) AT THE TIME OF THE BLACKOUT

If the stove is operating with wood during the blackout, you must wait until it cools down and only then, proceed according to the instructions in the "Stove in OFF status at blackout" chapter

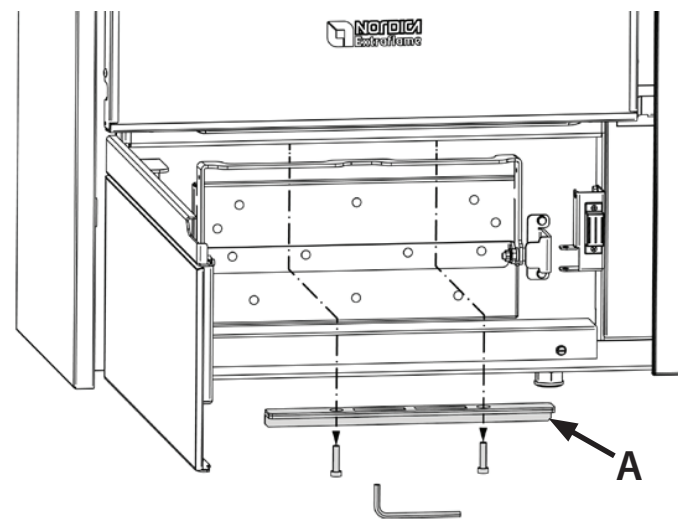
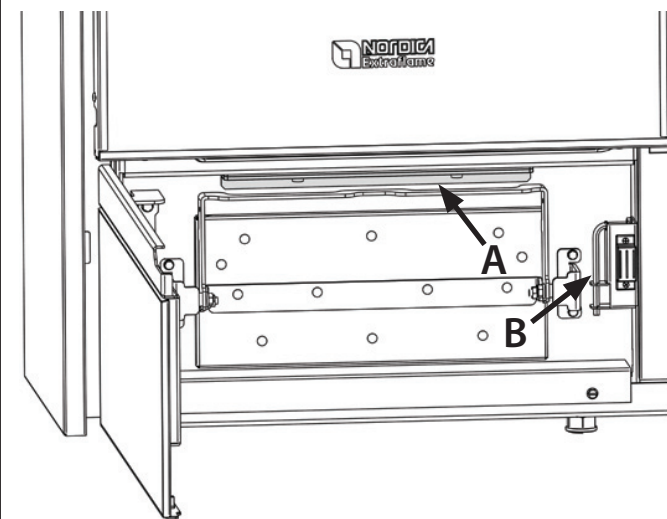
STOVE OPERATING WITH PELLETS (OR ONE OF ITS STATES) AT THE TIME OF THE BLACKOUT

If the stove is operating with pellets during the blackout, you must wait until it cools down and only then, proceed according to the instructions in the "Stove in OFF status at blackout" chapter

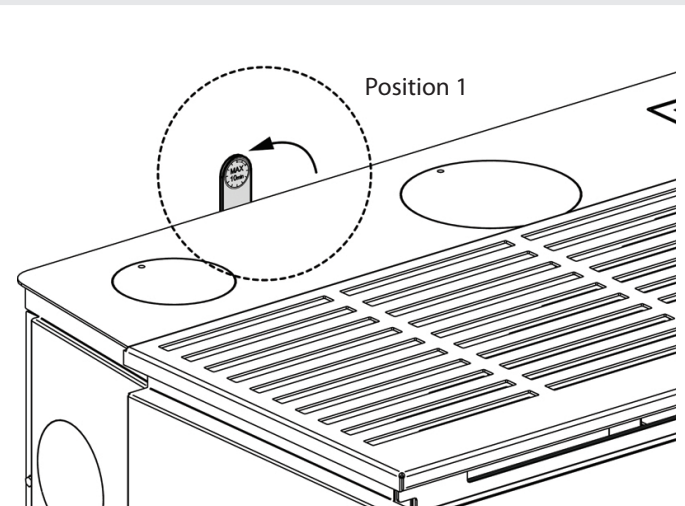
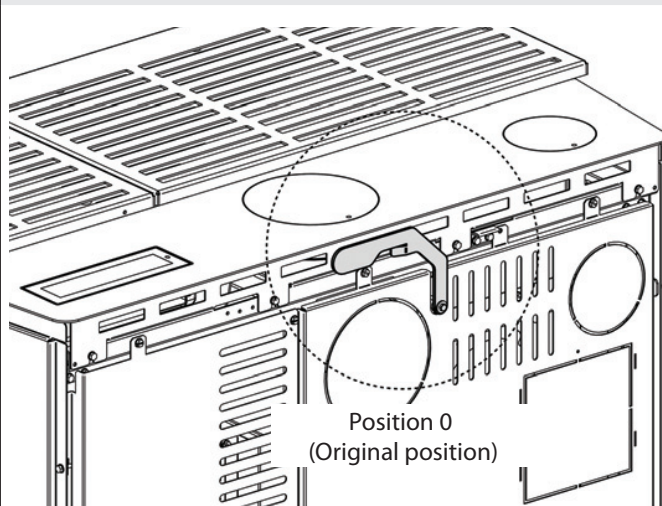
STOVE IN OFF STATUS AT BLACKOUT

The ignition and operating phases are outlined below:

1. Remove the bracket (A) with the hex key (B) provided.

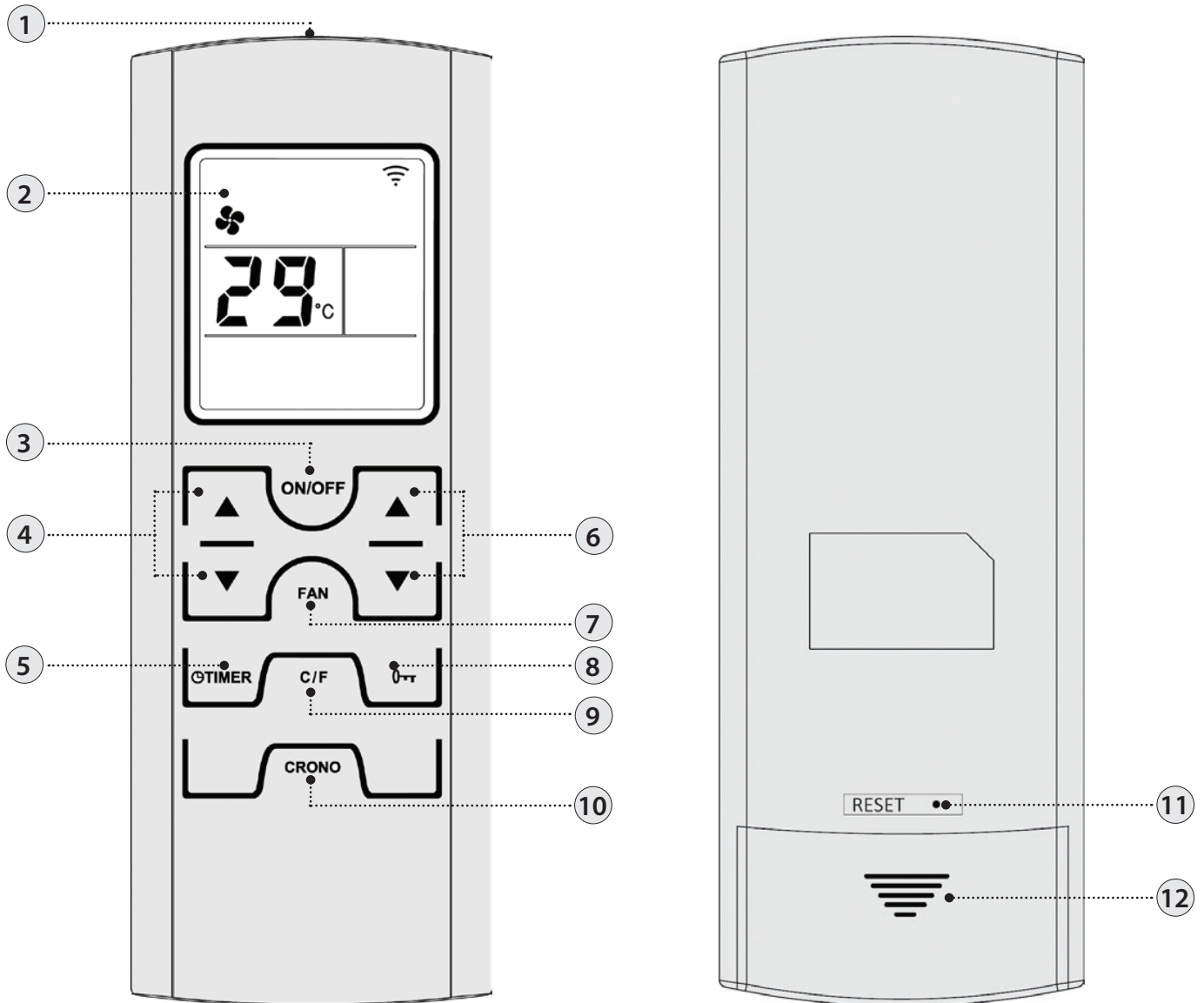


2. Turn the by-pass lever 90° anti-clockwise until it is locked. For sake of simplicity, this will be referred to as position 1



REMOTE CONTROL




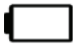

The remote control can be used to adjust the main stove functions.



1	Transmitter	7	Select air mode
2	Display	8	Lock keyboard
3	On/off stove (hold for 3 seconds)	9	Degrees Celsius / Fahrenheit
4	Set power	10	Press the button once to enable or disable the chrono
5	Set switch-off delay: The button allows to set the switch-off delay. For example, if you set it to one hour, the stove will automatically switch off after the set time *	11	Reset*
6	Set room temperature	12	Battery compartment

* not available in this model

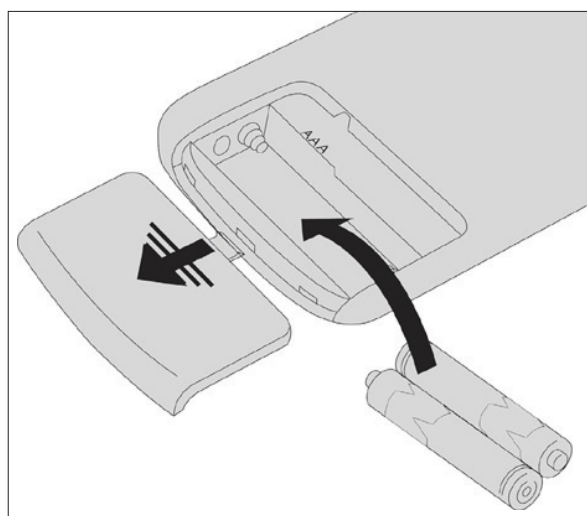
REMOTE CONTROL ICONS

	Air mode selected: Flashing COMFORT On AUTO		Enable chrono Light on = activated Light off = deactivated
OFF TIME 6:00	Set switch-off delay		Indicates the transmission of the radio signal On = during all radio communication Off = radio communication absent
	Battery low		Keys locked
P3	Set power level. The power level is displayed, instead of the set room temperature, for 3 seconds when one of the set power buttons is pressed (4).		

INSERTING THE BATTERIES

Remove the battery compartment cover by sliding it down. Insert 2 AAA batteries.

Insert the batteries respecting the correct polarity (+) and (-).
Close the cover of the battery compartment.



IF THE REMOTE CONTROL IS SWITCHED OFF DUE TO NO BATTERY INSTALLED, THE STOVE CAN BE CONTROLLED FROM THE COMMAND PANEL LOCATED ON THE UPPER PART OF THE STOVE. WHEN CHANGING THE BATTERIES, MAKE SURE YOU FOLLOW THE SYMBOLS PRINTED INSIDE THE REMOTE CONTROL.

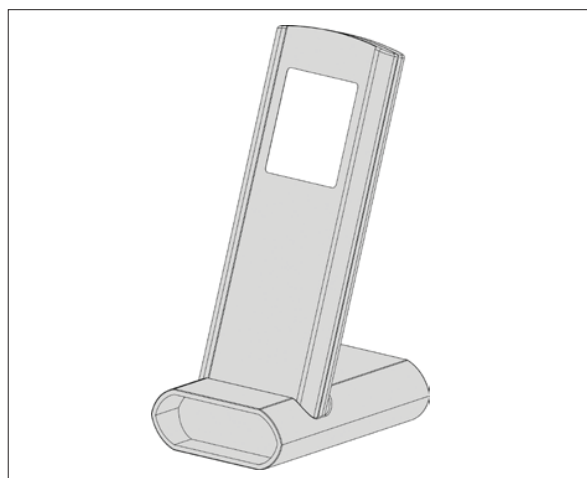


Respect the environment!

Used batteries contain metals that are harmful to the environment, and therefore must be disposed of separately in special containers.

ADVICE AND PRECAUTIONS FOR THE USE OF THE REMOTE CONTROL

- ◆ Remove the batteries if it is not used for a long time.
- ◆ When being used, direct it towards the stove's signal receiver.
- ◆ Handle the remote control with care. When it is not being used, place it on the special base supplied.
- ◆ The remote control must not be left in a place where it is exposed to direct sunlight or near a source of heat.
- ◆ The quality of the signal may be affected by other IR sources.



THE REMOTE CONTROL IS FITTED WITH AN LCD BACKLIT DISPLAY. THE BACKLIGHTING LASTS 20 SECONDS FROM THE LAST PRESS OF A BUTTON. AFTER A CERTAIN TIME, TO SAVE BATTERY POWER, THE DISPLAY TURNS OFF (ENERGY SAVING MODE).

THE CONTROL FUNCTIONS ARE REACTIVATED WHEN THE REMOTE IS REMOVED FROM ITS UNIT OR BY A LONG PRESS OF THE BUTTON.

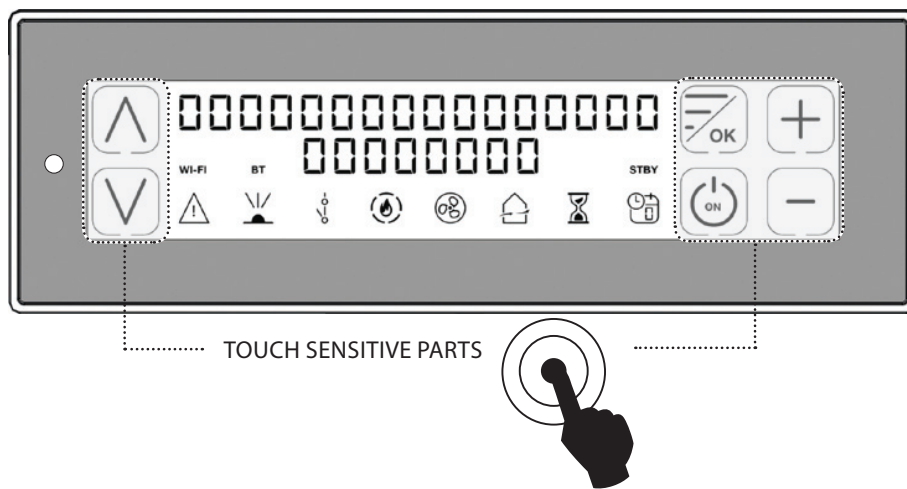
TOUCH SCREEN DISPLAY

The stove is equipped with a modern touch screen display with Wi-Fi technology allowing the individual functions of the unit to be adjusted by the user in an easy and intuitive manner.

Touch the buttons (icons) on the display to activate the actions. The touch screen display reacts with the touch of your fingers.

CAUTION!

- ◆ Do not use screen protectors: the display might not work properly
- ◆ Do not place the touch screen display in direct or indirect contact with water. The touch screen display may not work properly in the presence of humidity or if it is exposed to water.
- ◆ To avoid damaging the touch screen display, do not touch it with sharp objects and do not press it too hard with your fingers.
- ◆ During opening and closure, only press on the outer frame of the display.

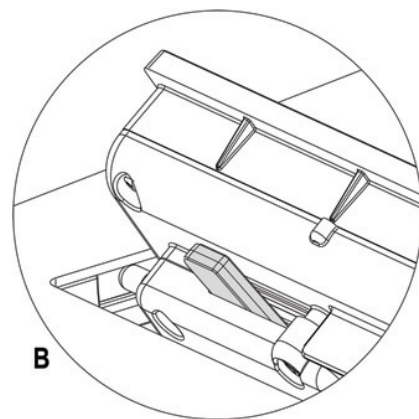
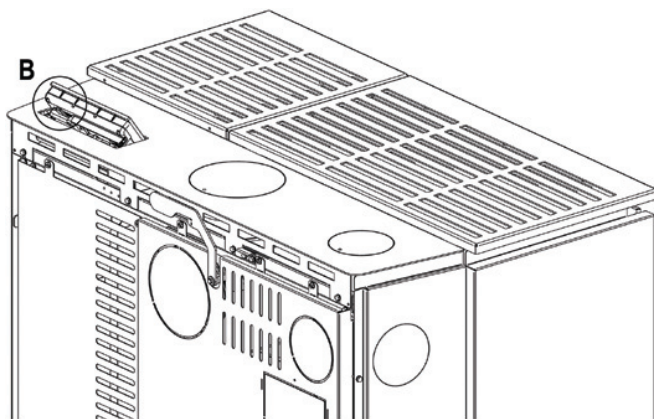
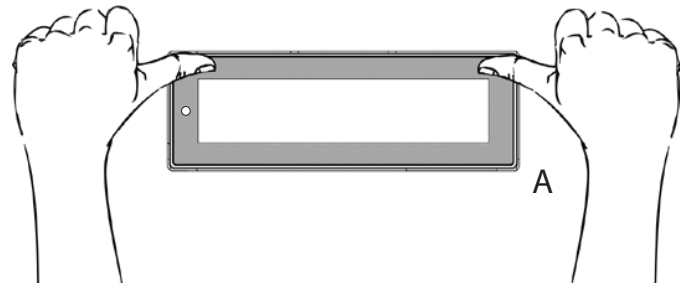


OPENING THE DISPLAY

Unlock the display by pressing on the edges of the display (A). Lift the display until you hear a “click”.

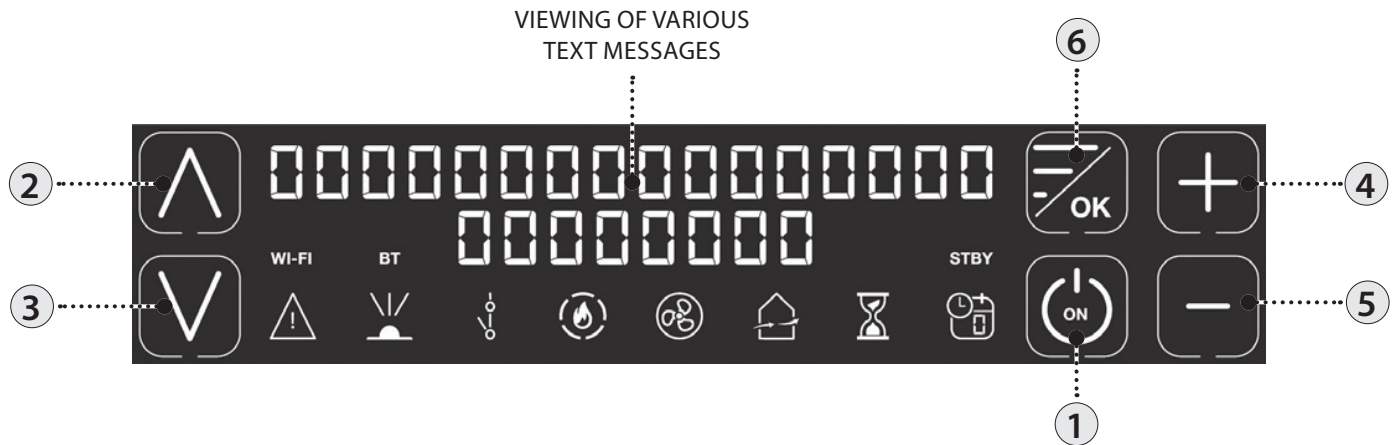
CLOSING THE DISPLAY

Unlock the display by moving the lever on the back of the display (B). Lower the display as shown in figure (A) until it is completely closed.



FREQUENCY BANDS	MAXIMUM POWER TRANSMITTED
Wi-Fi	20.0 dBm
BLUETOOTH	Class-3

CONTROL BOARD



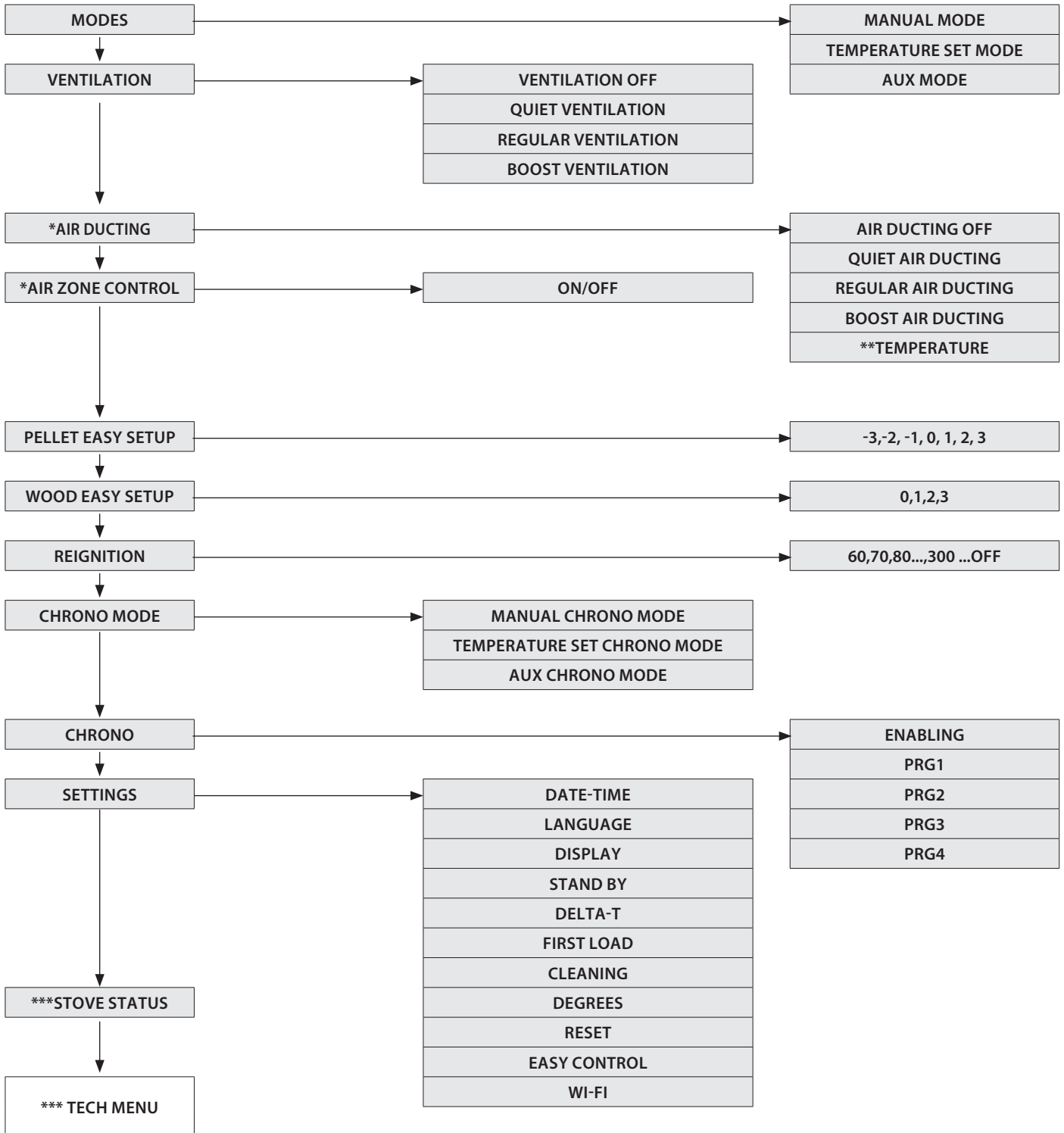
- ① On/off stove.
- ② Increase operating power / scroll through the menus.
- ③ Decrease operating power / scroll through the menus.
- ④ Increase operating set thermostat / scroll through the menus.
- ⑤ Decrease operating set thermostat / scroll through the menus.
- ⑥ To access the menu / confirm key.

ICON KEY			
	Indicates the presence of an alarm. Off: indicates that there are no alarms On: indicates the presence of an alarm		Delayed switch-off icon. Off: deactivated. On: activated.
	Indicates the reception of the IR signal On = IR command received Off = IR communication absent		Indicates the status of the weekly programming Off: deactivated. On: activated. Indicates the current time slot.
	Indicates the contact of the external additional thermostat Closed contact: the contact of the external additional thermostat is closed. Open contact: the contact of the external additional thermostat is open.	WI-FI	Wi-Fi icon Off: deactivated. On: activated and connected to the home network. Flashing: activated but not connected to the home network.
	Indicates the stove power. Flame on: stable power. Flame flashing: the power is changing. The dashes indicate the actual power of the machine.	STBY	STAND BY function icon Off: deactivated. On: activated.
	Indicates the operation of the tangential fan. Off = ventilation not active. On = ventilation active. Flashing: ventilation at reduced speed for compensation.		Indicates the presence of wood. On: wood in stove Off: no wood Flashing: wood being lit

GENERAL MENU



- ① Go back - exit
- ② ③ Scroll parameters: next (3); previous (2)
- ④ ⑤ Change settings data: increase (4); decrease (5)
- ⑥ Confirm - access menu



* ONLY VISIBLE WITH AIR DUCTING ON AND ACCESSORY INSTALLED
 ** IF A TEMPERATURE PROBE IS CONNECTED
 ***TECHNICIANS ONLY

GENERAL WARNINGS

Advice to follow for the first start-ups of the product:

During the first hours of operation, there may be some smoke or odours, but they are due to the normal "thermal break-in" process. During this process, the duration of which changes depending on the product, it is recommended to:

- ♦ Ventilate the room well
- ♦ If present, remove any majolica or natural stone parts from the top part of the product
- ♦ Activate the product at the maximum power and temperature
- ♦ Avoid remaining in the room for a long time
- ♦ Do not touch the surfaces of the product

Notes:

The process is completed after a few heating/cooling cycles.

For combustion, do not use elements or substances other than those indicated in the manual.

Before turning on the product, it is necessary to perform the following checks:

- ♦ If it is intended to be connected to a hydraulic system, it must be complete and fully functional and in compliance with the instructions given in the product manual and with the relevant regulations in force.
- ♦ The pellet hopper must be fully loaded
- ♦ The combustion chamber and the burn pot must be clean
- ♦ Make sure that the fire holder, the ash drawer and the pellet hopper close hermetically (if present in the hermetic version); they must be closed and there must be no foreign bodies in the sealing elements and gaskets.
- ♦ Check that the power cord is properly connected
- ♦ The switch (if present) must be set to position "I".

MODE (POWER MANAGEMENT)

This menu allows you to set the machine power adjustment mode.

MANUAL (*factory setting*) the user can choose the heating power level delivered while the room temperature is ignored.

CONTROLS PROCEDURE

- ♦ Press key 2 or 3 (Power 1 = minimum level - Power 5 = maximum level).
- ♦ Save the selection with key 1

TEMPERATURE SET the user can set the room temperature (from 7 to 37°C) and the heating power delivered.

The stove controls the room temperature using a probe on board the machine. Once the set temperature has been reached, the stove automatically reduces the power, guaranteeing best comfort and reducing pellet consumption: this process is called "modulation".

The machine can switch itself off if STAND BY is enabled (see STAND BY chapter)

CONTROLS PROCEDURE

- ♦ Press key 6.
- ♦ Press 3 until MODES appears and confirm by pressing 6.
- ♦ Use keys 4 -5 to set the desired MODES.
- ♦ Press key 6 to confirm and key 1 to scroll back through the menus until the initial page.

AUX the temperature control is managed by the additional thermostat (not supplied) thereby ignoring the temperature probe integrated in the stove. The user can choose the level of power delivered.

When the temperature set by the user has been reached, the stove switches off if STAND-BY is set to ON, or switches to minimum power by modulating operation.

CONTROLS PROCEDURE

- ♦ Press key 6.
- ♦ Press 3 until MODES appears and confirm by pressing 6.
- ♦ Use keys 4 -5 to set the desired MODES.
- ♦ Press key 6 to confirm and key 1 to scroll back through the menus until the initial page.

VENTILATION

This function allows you to choose from 4 ventilation levels: OFF, QUIET, REGULAR, BOOST.

- ♦ **OFF:** When you want to use natural convection heat only, without the aid of the fans, for maximum quietness
- ♦ **QUIET:** Ventilation works to optimise acoustic comfort. The fans run at a reduced speed.
- ♦ **REGULAR:** To obtain the best possible balance between performance and comfort. This is the factory setting.
- ♦ **BOOST:** When you want to feed the set heat output of the appliance into the room as fast as possible.

CONTROLS PROCEDURE

- ♦ Press key 6.
- ♦ Press 3 until VENTILATION appears and confirm by pressing key 6.
- ♦ Use keys 4-5 to set the desired mode.
- ♦ Press key 6 to confirm and key 1 to scroll back through the menus until the initial page.

	ACOUSTIC COMFORT	HEATING SPEED
OFF	●●●●●	●○○○○
QUIET	●●●●○	●●●○○
REGULAR	●●●○○	●●●●○
BOOST	●○○○○	●●●●●

N.B.: The appliance is designed to work in safe conditions at all times.
In some cases, changing the ventilation level may have no noticeable effect on the setting.

AIR DUCTING (OPTIONAL KIT)

FOR THE TECHNICIAN

Enable the display of "AIR DUCTING" only after completing the installation of the MARGARET GRES - MARGARET PETRA Air Ducting kit.

See the "OPTIONAL ACCESSORIES" chapter.

To enable it, access the "TECH MENU " and enter the password 44

FOR THE USER

The menu allows you to set four air ducting operating modes: OFF, QUIET, REGULAR, BOOST

CONTROLS PROCEDURE TO CONFIGURE SET

- ♦ Press key 6.
- ♦ Press 3 until AIR DUCTING appears and confirm by pressing 6.
- ♦ Use keys 4-5 to set the desired mode.
- ♦ Press key 6 to confirm and key 1 to scroll back through the menus until the initial page.

If an external thermostat has been connected (see the OPTIONAL ACCESSORIES chapter), the air ducting ventilation is switched off when the set temperature (of the external thermostat) is reached.

If an NTC probe has been connected (see the OPTIONAL ACCESSORIES chapter), the air ducting ventilation is switched off when the set temperature on the display is reached.

CONTROLS PROCEDURE TO SET THE TEMPERATURE

- ♦ Press key 6.
- ♦ Press key 3 until AIR DUCTING appears and confirm by pressing key 6.
- ♦ Press key 6 again to confirm SET AIR DUCTING
- ♦ Use keys 4-5 to set the desired temperature.
- ♦ Press key 6 to confirm and key 1 to scroll back through the menus to the initial status

AIR ZONE CONTROL (ONLY IF THE AIR DUCTING KIT IS PRESENT)

This menu allows you to enable the AIR ZONE CONTROL mode

Range: (ON, OFF)

If ON is selected, the stove will optimise the adjustments in pellet operation so that the heat is sent to the air ducting when the main room temperature set is reached.

CONTROLS PROCEDURE

- ◆ Press key 6.
- ◆ Press 3 until AIR ZONE CONTROL appears and confirm by pressing 6.
- ◆ Use keys 4-5 to enable (ON) or disable (OFF)
- ◆ Press key 6 to confirm and key 1 to scroll back through the menus until the initial page.

When the function is active, AIR ZONE CONTROL appears on the display

PELLET EASY SETUP

The volumetric weight of the pellet is the ratio between the weight and the volume of the pellet. This ratio may change without altering pellet quality. By using the PELLETS EASY SETUP function, it is possible to change the calibration of the volumetric weight by increasing or decreasing the preset values.

In the stove program, the available values range from “- 3” to “+ 3”; all stoves are calibrated during production with the optimal value, which is 0.

If you notice an excessive deposit in the burn pot, access the PELLETS EASY SETUP program and lower the value by one unit to “- 1”; then wait until the next day and if there is no improvement, decrease again, to a maximum of “- 3”.

If you need to increase the calibration of the volumetric weight of the pellet, change the factory setting from “0” to “+ 1, + 2, + 3” as required.

EXCESSIVE PELLETS DEPOSIT IN BURN POT			NORMAL OPERATION	MINIMUM PELLETS DEPOSIT IN BURN POT		
-3	-2	-1	0	+1	+2	+3
THIRD DECREASE RANGE IF THE FIRST TWO ARE INSUFFICIENT	SECOND DECREASE RANGE IF THE FIRST IS INSUFFICIENT	FIRST DECREASE RANGE (TEST FOR 1 DAY)	OPTIMAL FACTORY VALUE	FIRST INCREASE RANGE	SECOND INCREASE RANGE IF THE FIRST IS INSUFFICIENT	THIRD INCREASE RANGE IF THE FIRST TWO ARE INSUFFICIENT

CONTROLS PROCEDURE

- ◆ Press key 6.
- ◆ Press key 3 until PELLETS EASY SETUP appears and confirm by pressing key 6.
- ◆ Use keys 4 -5 to set the range.
- ◆ Press key 6 to confirm and key 1 to scroll back through the menus until the initial page.

N.B.: IF THESE ADJUSTMENTS DO NOT SOLVE THE PROBLEM OF PELLETS DEPOSITS IN THE BURN POT, PLEASE CONTACT YOUR LOCAL SERVICE CENTRE.

WOOD EASY SETUP

Wood with a low moisture content must be used to ensure that the stove operates correctly.

If the wood has not been properly seasoned or is in large pieces, the WOOD EASY SETUP value can be raised to increase the main air flow and speed up combustion (Range: 0 to +3).

CONTROLS PROCEDURE

- ◆ Press key 6.
- ◆ Press key 3 until WOOD EASY SETUP appears and confirm by pressing key 6.
- ◆ Use keys 4 -5 to set the range.
- ◆ Press key 6 to confirm and key 1 to scroll back through the menus until the initial page.

CHRONO MODE

It allows the user to choose in which MODE the stove will be switched on in the set time slots, choosing between: MANUAL, TEMPERATURE SET, AUX

CONTROLS PROCEDURE

- ◆ Press key 6.
- ◆ Press 3 until CHRONO appears and confirm by pressing key 6.
- ◆ Press 3 until MODES appears and confirm by pressing 6.
- ◆ Use keys 4-5 to set the desired mode.
- ◆ Press key 6 to confirm and key 1 to scroll back through the menus until the initial page.

REIGNITION

This function allows automatic reignition with pellets from wood status using a timer (Range: 60' - 300'). The countdown starts from the last time the door is closed. The time set is the minimum time that the stove will wait before reigniting with pellets after the default preset minimum temperature is reached. To disable the REIGNITION function, set it to OFF.

CONTROLS PROCEDURE

- ◆ Press key 6.
- ◆ Press key 3 until REIGNITION appears and confirm by pressing key 6.
- ◆ Use keys 4 -5 to set the range.
- ◆ Press key 6 to confirm and key 1 to scroll back through the menus until the initial page.

CHRONO

This function allows stove ignition and switch-off to be automatically programmed.

The CHRONO function is disabled in factory settings.

The CHRONO function allows 4 time slots to be programmed per day, which can be used every day of the week.

For each time slot, it is possible to set ignition and switch-off times, specific days of application, desired temperature and set power. Current day and time settings are essential for the correct operation of the CHRONO function.

Recommendations

Before using the CHRONO function, it is necessary to set the current date and time, so check that you have followed the points listed in the sub-chapter "DATE-TIME". To use the CHRONO function correctly, it must not only be programmed, but also enabled. The 4 time slots can be overlapped using the ignition and switch-off time settings. In this way, it is possible to create a combination of time slots with different temperatures and power levels, without changing the status of the stove.

N.B.: in the case of overlapping time slots, the stove will remain on until the last switch-off time.

ENABLING/DISABLING THE CHRONO FUNCTION

CONTROLS PROCEDURE

- ◆ Press key 6.
- ◆ Press 3 until CHRONO appears and confirm by pressing key 6.
- ◆ Confirm ENABLING by pressing 6.
- ◆ Use keys 4 -5 to enable (ON) or disable (OFF)
- ◆ Press key 6 to confirm and key 1 to scroll back through the menus until the initial page.

CHRONO	>	ENABLING	>	PRG1	On/off	Enable/disable PRG 1
		∨		PRG2	On/off	Enable/disable PRG 2
		∨		PRG3	On/off	Enable/disable PRG 3
		∨		PRG4	On/off	Enable/disable PRG 4
		∨				
		PRG1	>	START PRG1	OFF-00:00	Ignition time PRG1
		∨		STOP PRG1	OFF-00:00	Switch-off time PRG1
		∨		MONDAY...SUNDAY	On/off	Enable/disable days PRG1
		∨		SET PRG1	07- 37 °C	Set thermostat PRG1
		∨		POWER PRG1	1-5	Set power PRG1
		∨				
		PRG2	>	START PRG2	OFF-00:00	Ignition time PRG2
		∨		STOP PRG2	OFF-00:00	Switch-off time PRG2
		∨		MONDAY...SUNDAY	On/off	Enable/disable days PRG2
		∨		SET PRG2	07- 37 °C	Set thermostat PRG2
		∨		POWER PRG2	1-5	Set power PRG2
		∨				
		PRG3	>	START PRG3	OFF-00:00	Ignition time PRG3
		∨		STOP PRG3	OFF-00:00	Switch-off time PRG3
		∨		MONDAY...SUNDAY	On/off	Enable/disable days PRG3
		∨		SET PRG3	07- 37 °C	Set thermostat PRG3
		∨		POWER PRG3	1-5	Set power PRG3
		∨				
		PRG4	>	START PRG4	OFF-00:00	Ignition time PRG4
		∨		STOP PRG4	OFF-00:00	Switch-off time PRG4
		∨		MONDAY...SUNDAY	On/off	Enable/disable days PRG4
		∨		SET PRG4	07- 37 °C	Set thermostat PRG4
		∨		POWER PRG4	1-5	Set power PRG4

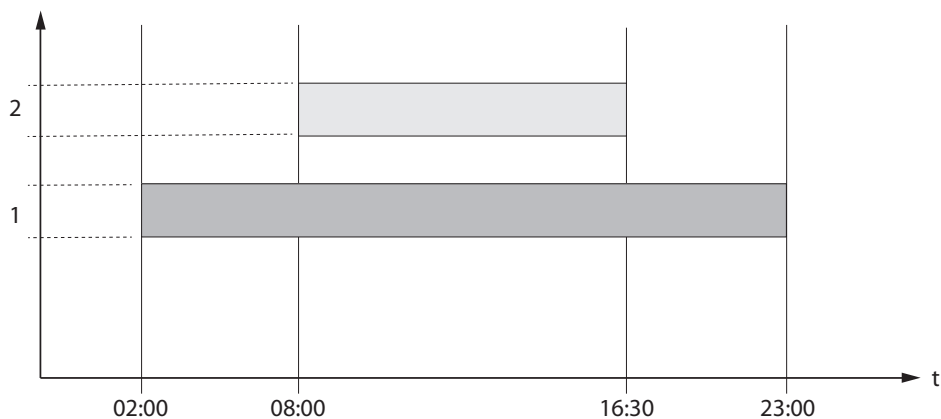


IF THE WEEKLY CHRONO IS ENABLED ON THE CONTROL BOARD, THE ICON IS VISIBLE ON THE SIDE.

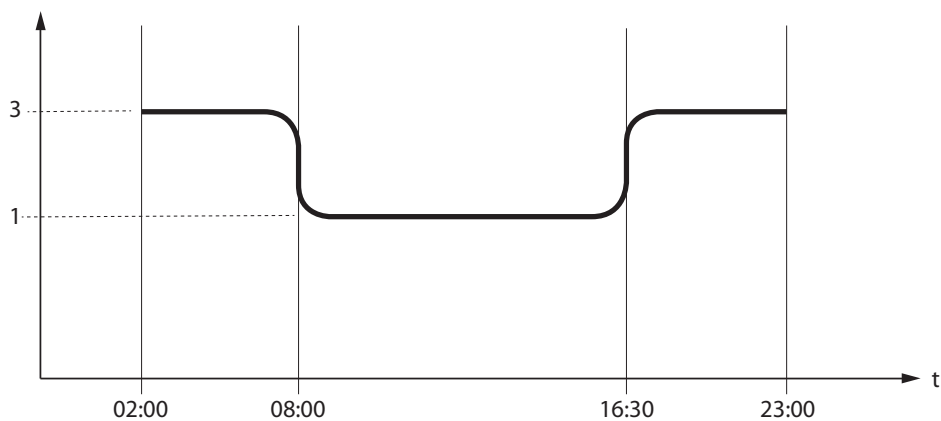


EXAMPLE OF CHRONO OVERLAPPING TIMES/SLOTS

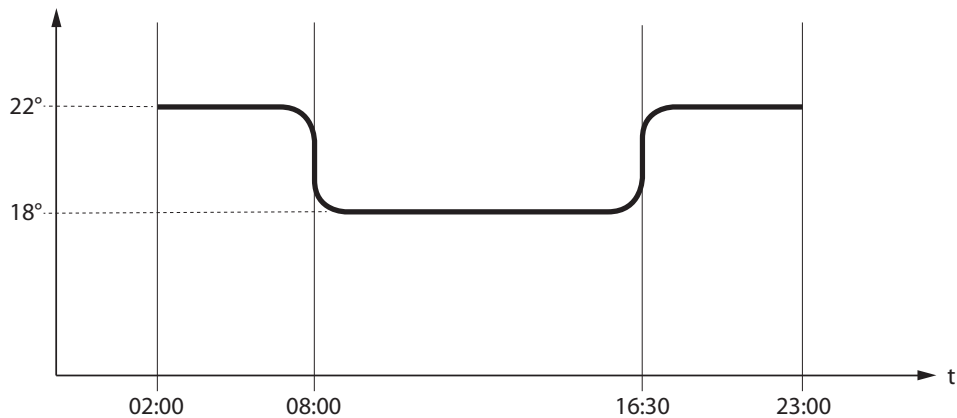
TIME SLOT



SET POWER



SET THERMOSTAT



	Time slot 1	Start 02:00 Stop 23:00	Power 3 - SET THERMOSTAT 22°C
	Time slot 2	Start 08:00 Stop 16:30	Power 1 - SET THERMOSTAT 18°C
	Stove operation		

SETTINGS

Connect the stove to the power supply using the power cable supplied and turn the power switch to the ON (I) position. Set the following parameters when the display turns on.

DATE-TIME

This menu allows the date and time to be set.

CONTROLS PROCEDURE

- ◆ Press key 6.
- ◆ Press key 3 until SETTINGS appears and confirm by pressing key 6.
- ◆ Confirm DATE-TIME by pressing key 6 and using keys 4 and 5 to set the day of the week (MON - SUN).
- ◆ Continue by pressing key 6.
- ◆ Use keys 4 or 5 to choose the setting and key 6 to move forward, to set the hour, minutes, day, month and year.
- ◆ Press key 6 to confirm and key 1 to scroll back through the menus until the initial page.

LANGUAGE

This menu allows the preferred language to be selected.

The available languages are: Italian - English - German - French - Spanish - Portuguese - Danish - Estonian - Croatian - Slovenian - Dutch - Polish - Czech.

CONTROLS PROCEDURE

- ◆ Press key 6.
- ◆ Press key 3 until SETTINGS appears and confirm by pressing key 6.
- ◆ Press key 3 until LANGUAGE appears and confirm by pressing key 6.
- ◆ Select the language using keys 4 or 5.
- ◆ Press key 6 to confirm and key 1 to scroll back through the menus until the initial page.

DEGREES

This menu allows you to set the unit of measurement for the temperature. The predefined value is °C.

CONTROLS PROCEDURE

- ◆ Press key 6.
- ◆ Press key 3 until SETTINGS appears and confirm by pressing key 6.
- ◆ Press key 3 until DEGREES appears and confirm by pressing key 6.
- ◆ Use keys 4-5 to select Celsius (°C) or Fahrenheit (°F).
- ◆ Press key 6 to confirm and key 1 to scroll back through the menus until the initial page.

DISPLAY

This menu allows you to adjust the brightness of the display backlighting. The values range from OFF, 1 to 20. If set to OFF, the display backlighting is set to maximum brightness and turns off after a 60 second delay.

The backlighting can be turned on again by pressing any key or if the stove is in the alarm condition.

CONTROLS PROCEDURE

- ◆ Press key 6.
- ◆ Press key 3 until SETTINGS appears and confirm by pressing key 6.
- ◆ Keep pressing key 3 until DISPLAY appears and confirm by pressing key 6.
- ◆ Use keys 4-5 to set the desired intensity.
- ◆ Press key 6 to confirm and key 1 to scroll back through the menus until the initial page.

STAND BY

The STAND BY function, if enabled, is used when the stove switch-off is controlled by means of an additional thermostat

CONTROLS PROCEDURE

- ◆ Press key 6.
- ◆ Press key 3 until SETTINGS appears and confirm by pressing key 6.
- ◆ Keep pressing key 3 until STAND BY appears and confirm by pressing key 6.
- ◆ Use keys 4-5 to enable (ON) / disable (OFF).
- ◆ Press key 6 to confirm and key 1 to scroll back through the menus until the initial page.

The effect of the STAND BY function is summarised in the following table based on the machine mode set; see the "MODES chapter (power management)"

	MANUAL	TEMPERATURE SET (Stove room probe)	AUX (Additional thermostat - not supplied)
STAND BY ON	The machine always operates at the set power.	The stove modulates first (switches to power 1) and then, switches off when the desired temperature has been reached and previously set on the display. It restarts at the set power as soon as the temperature falls below the difference between the set value – DELTA T ON (see the DELTA T chapter)	Once the stove reaches the desired temperature previously set on the thermostat, it switches off. It restarts in the set power as soon as requested by the thermostat
STAND BY OFF	The machine always operates at the set power.	The stove modulates (switches to power 1) when the desired temperature has been reached and previously set on the display. The stove returns to the set power as soon as the temperature falls below the set value of - 1°C.	The stove modulates (switches to power 1) when the desired temperature has been reached and previously set on the thermostat It restarts at the set power as soon as requested by the thermostat

DELTA-T

This setting only has any effect in TEMPERATURE SET MODE and with STAND BY "ON".
The function is explained below.

Two temperature values must be set, both in a range of 0.5 - 5°C

- DELTA T ON which will act as the threshold for reignition
- DELTA T OFF which will act as the threshold for switch-off

The device switches off when the room temperature exceeds the set value + DELTA T OFF

The device reignites when the room temperature falls below the set value - DELTA T ON

CONTROLS PROCEDURE

- ◆ Press key 6.
- ◆ Press key 3 until SETTINGS appears and confirm by pressing key 6
- ◆ Press key 3 until DELTA-T appears and confirm by pressing key 6.
- ◆ Use keys 4-5 to set the desired value.
- ◆ Press key 6 to confirm and key 1 to scroll back through the menus until the initial page.

FIRST LOAD

This function allows the auger to be filled, thus facilitating first stove ignition phases, or in the event the pellet hopper is empty.
With the stove cold and "OFF", make sure the pellets have been introduced inside the hopper and activate the FIRST LOAD function, confirming by pressing OK.

To interrupt continuous loading, simply press key 1 for 3 seconds.

CONTROLS PROCEDURE

- ◆ Press key 6.
- ◆ press key 3 until SETTINGS appears and confirm by pressing key 6.
- ◆ Keep pressing key 3 until FIRST LOAD appears and confirm by pressing key 6.
- ◆ Use keys 4-5 to enable "ON" / disable "OFF"
- ◆ Press key 1 several times to confirm and exit the menu.

CLEANING

This function allows to open the burn pot base, facilitating the combustion chamber cleaning operations. With the stove cold and "OFF", activate the CLEANING function, confirming "ON". The message "OPENING" is displayed and the burn pot base opens. Only open the door when the message "DO THE CLEANING" appears.

Once the burn pot base has been opened completely, scrape the bottom of the combustion chamber using the tool supplied and let the residual ash drop into the ash drawer.

After completing the cleaning, close the door and press key 1 on the display.

The message "CLOSING" is displayed until the base has been closed

CONTROLS PROCEDURE

- ◆ Press key 6.
- ◆ Press key 3 until SETTINGS appears and confirm by pressing key 6.
- ◆ Keep pressing 3 until CLEANING appears and confirm by pressing 6.
- ◆ Use keys 4-5 to enable "ON" / disable "OFF"
- ◆ Press key 1 several times to confirm and exit the menu.

Once the cleaning operation has been completed, close the fire door and press the key 1 for 3 seconds to finish and wait for the main screen to reappear.

EASY CONTROL

The function allows for two values to be set:

- ◆ OFF (disabled - factory default)
- ◆ ON (enabled)

Activation (EASY CONTROL = ON) is recommended in the event that there is an excessive formation of combustion residues in the flue during operation at reduced power (see FLUE EXHAUST chapter).

Caution! It is advisable to activate the EASY CONTROL function under the supervision of a qualified technician.

CONTROLS PROCEDURE

- ◆ Press key 6.
- ◆ Press key 3 until SETTINGS appears and confirm by pressing key 6.
- ◆ Keep pressing 3 until EASY CONTROL appears and confirm by pressing 6.
- ◆ Use keys 4-5 to enable "ON" / disable "OFF"
- ◆ Press key 1 several times to confirm and exit the menu.

WI-FI

The display allows you to connect to the internet using Wi-Fi technology.

The entire Wi-Fi interface is grouped under the Settings -> W-Fi menu

The configuration must be made using the Total Control 3.0 App, which can be downloaded from Play Store or Apple Store.

<https://www.lanordica-extraflame.com>

- ◆ RESET

The setting allows you to reset the Wi-Fi to factory settings

CONTROLS PROCEDURE

- ◆ Press key 6.
- ◆ Press key 3 until SETTINGS appears and confirm by pressing key 6.
- ◆ Press key 3 until Wi-Fi appears and confirm by pressing key 6.
- ◆ Press key 3 until RESET appears and the press key 6.
- ◆ Use keys 4-5 to select start reset "ON" / "OFF" and press key 6 to confirm.
- ◆ Press key 1 several times to exit the menu.

- ◆ WPS

The setting allows you to connect the Wi-Fi module to your home router without having to enter the password. However, for correct operation, it is necessary to register the product via the Total Control 3.0 App.

Once WPS has been enabled, the Wi-Fi module will wait in stand-by to receive the Wi-Fi configuration from the home router. The router, which must be set up for this feature, usually has a WPS button to press.

CONTROLS PROCEDURE

- ◆ Press key 6.
- ◆ Press key 3 until SETTINGS appears and confirm by pressing key 6.
- ◆ Keep pressing 3 until WI-FI appears and confirm by pressing 6.
- ◆ Press key 3 until WPS appears and then press key 6.
- ◆ Use keys 4-5 to select start reset "ON" / "OFF" and press key 6 to confirm.
- ◆ Press key 1 several times to exit the menu.

◆ INFO

Three pieces of information about the Wi-Fi function are available in this menu.

To set: OK > SETTINGS > WI-FI > INFO

CONTROLS PROCEDURE

- ◆ Press key 6.
- ◆ Press key 3 until SETTINGS appears and confirm by pressing key 6.
- ◆ Continue by pressing key 3 until Wi-Fi appears and confirm by pressing key 6.
- ◆ Press key 3 until INFO appears and then press key 6.

- MAC: Unique identification code of the Wi-Fi device

- STATUS: Wi-Fi module status, the following values can be assumed.

- ◆ SERIAL KO: no communication between the Wi-Fi module and the stove board
- ◆ DISCONNECTED: The Wi-Fi module is not configured to access the internet
- ◆ STATION OK: The Wi-Fi module is connected to the home router, but has no access to the cloud (e.g. no Internet access, firewall issues)
- ◆ CLOUD OK: The Wi-Fi module is connected to the cloud

The firmware revision number of the Wi-Fi module is also indicated.

- RSSI: Wi-Fi signal strength, when it is correctly connected to an access point

The RSSI value is expressed in decibels (dB) as a negative number which is typically in the range between -60dB (excellent signal) and -85dB (very poor signal).

If the signal is poor, we recommend purchasing a Wi-Fi repeater to avoid any connectivity problems.

The "WI-FI" icon, visible on the main page of the display, indicates the operating status of the stove's Wi-Fi connection

The table below shows how to interpret the information provided and the solutions to implement

WI-FI STATUS ICON	EXPLANATION	SOLUTION
"WI-FI" icon not present	Module off	Check the stove power supply Contact the technical support service
"WI-FI" icon flashing	Connection in progress <i>The module is attempting to make the connection to the home network selected.</i>	The module may take up to one minute to make the connection. If the problem persists, run a reset and reconfigure the product
"WI-FI" icon on	The product is connected to the server	-

TO FIND OUT WHERE YOUR NEAREST SERVICE CENTRE IS, CONTACT YOUR DEALER OR VISIT THE WEBSITE: WWW.LANORDICA-EXTRAFLAME.COM

CLEANING AND MAINTENANCE

ALWAYS FOLLOW THE INSTRUCTIONS IN COMPLETE SAFETY!

- ♦ Make sure that the power cord is unplugged because the generator may have been programmed to switch on.
- ♦ That the generator is cold all over.
- ♦ That the ashes are completely cold.
- ♦ Ensure efficient air exchange in the room during product cleaning operations.
- ♦ Poor cleaning will compromise correct operation and safety!

MAINTENANCE

For correct operation, the generator must undergo routine maintenance by a qualified technician, at least once a year. The periodic inspection and maintenance operations must always be performed by specialised, qualified technicians, who operate in accordance with the laws in force and the instructions given in this use and maintenance manual.



FUMES FROM BLOCKED FLUES ARE DANGEROUS!!
KEEP THE CHIMNEY AND FLUE CLEAR AND CLEAN IN ACCORDANCE WITH THE INSTRUCTIONS. EVERY YEAR, HAVE THE FUME EXTRACTION SYSTEM, FLUE PIPES AND T-FITTINGS, INCLUDING THE INSPECTION CAPS, CLEANED. CLEAN ANY ELBOWS AND HORIZONTAL SECTIONS AS WELL, IF PRESENT! THE GENERATOR CLEANING FREQUENCY IS INDICATIVE! IT DEPENDS ON THE QUALITY OF THE PELLETS AND FREQUENCY OF USE. THESE OPERATIONS MAY SOMETIMES NEED TO BE PERFORMED MORE OFTEN

PERIODIC CLEANING UNDER USER'S RESPONSIBILITY

The periodic cleaning operations, as indicated in this use and maintenance manual, must be performed with the utmost care after reading the instructions, procedures and frequency described in this use and maintenance manual.

CLEANING THE SURFACES AND COVERING

Never use abrasive or chemically aggressive detergents for cleaning!

The surfaces must be cleaned when the generator and covering are completely cold. For the maintenance of the surfaces and metal parts, simply use a cloth dampened with water or water and neutral soap.

Failure to comply with these instructions may damage the surfaces of the generator and cause the invalidation of the warranty.

CLEANING THE CERAMIC GLASS

Never use abrasive or chemically aggressive detergents for cleaning!

The ceramic glass must be cleaned when the glass is completely cold.

To clean the ceramic glass, simply use a dry brush and some damp newspaper dipped in ash. If the glass is very dirty, use a specific cleaning agent for ceramic glass. Spray a small amount on a cloth and use it on the ceramic glass. Do not spray the cleaning agent or any other liquid directly on the glass or seals!

Failure to comply with these instructions may damage the surfaces of the ceramic glass and cause the invalidation of the warranty.

CLEANING THE PELLET HOPPER

When the hopper is completely empty, disconnect the generator power cord, remove any residue (dust, debris, etc.) from the empty hopper before filling it up.



THE PELLET HOPPER GASKETS, BURN POT AND FIRE DOOR GUARANTEE CORRECT STOVE OPERATION. THEY MUST BE PERIODICALLY CHECKED BY THE USER. IF THEY ARE WORN OR DAMAGED, DO NOT USE THE STOVE UNTIL THEY HAVE BEEN REPLACED. THESE OPERATIONS MUST BE CARRIED OUT BY A QUALIFIED TECHNICIAN.

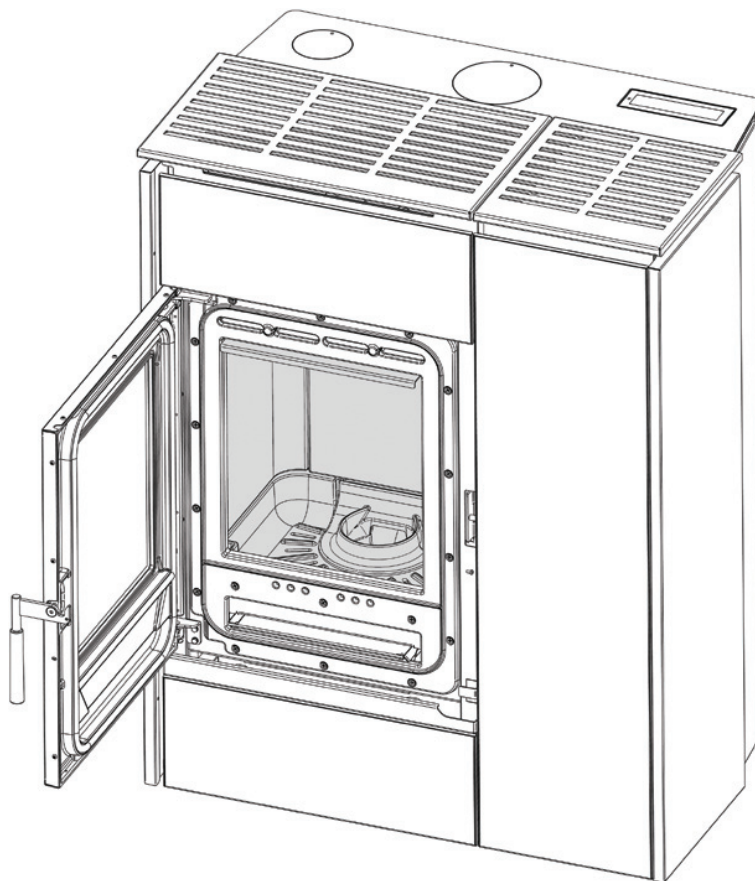


IF THE POWER CORD IS DAMAGED, IT MUST BE REPLACED BY THE SERVICE CENTRE OR BY A SIMILARLY QUALIFIED PERSON, SO AS TO AVOID ALL RISKS.

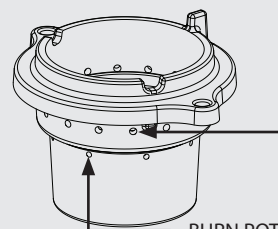
BURN POT AND COMBUSTION CHAMBER:

The burn pot base is cleaned automatically at preset intervals by means of a mechanical system. It is however advisable to remove any residues by using a vacuum cleaner.

- ◆ Vacuum the entire combustion chamber, burn pot and burn pot base with a suitable vacuum cleaner.



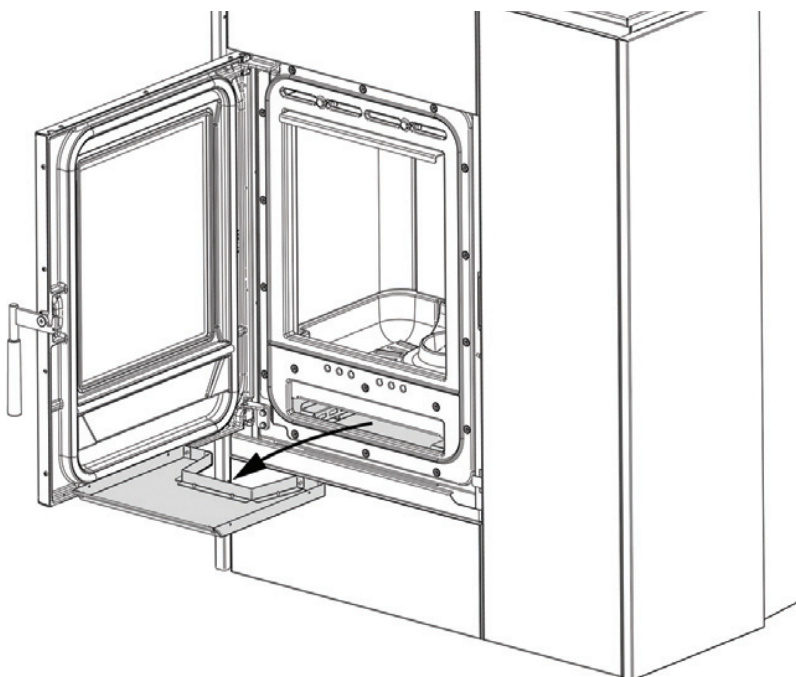
A CLEAN BURN POT GUARANTEES CORRECT OPERATION! BY KEEPING THE BURN POT AND ITS HOLES CONSTANTLY CLEAN AND FREE OF COMBUSTION RESIDUE, EXCELLENT COMBUSTION IS GUARANTEED OVER TIME, THUS PREVENTING ANY GENERATOR MALFUNCTIONS THAT MAY REQUIRE TECHNICAL ASSISTANCE. THE PELLET EASY SETUP FUNCTION IN THE USER MENU CAN BE USED TO ADAPT COMBUSTION ACCORDING TO THE NEEDS DESCRIBED.



BURN POT HOLES

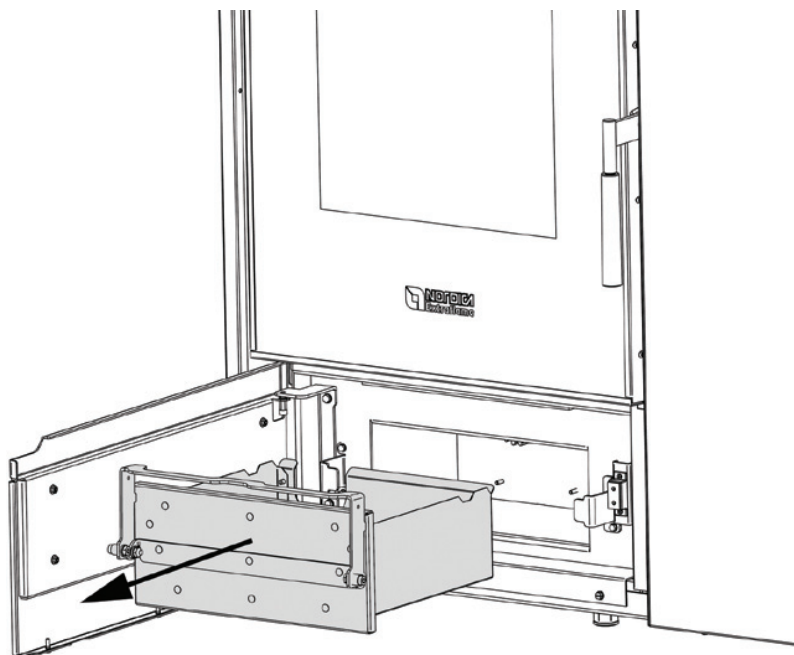
WOOD ASH COMPARTMENT:

- ◆ Remove the ash drawer and empty it in a dedicated container.



ASH DRAWER:

- ◆ Remove the ash drawer and empty it into a suitable container.



PARTS/FREQUENCY	EVERY 7 DAYS	EVERY YEAR
BURN POT (USER)	X	
COMBUSTION CHAMBER (USER)	X	
WOOD ASH COMPARTMENT (USER)	X	
ASH DRAWER (USER)	X	
T-SHAPED FITTING / SMOKE DUCT (TECHNICIAN)		X

One day means an average use of 8h at the rated power.

How often the ash drawer is emptied depends on a number of factors: the fuel, stove output and use, and the type of installation.

ROUTINE MAINTENANCE PERFORMED BY QUALIFIED TECHNICIANS

Routine maintenance must be performed at least once a year.

Given that the generator uses pellets as solid fuel, it requires annual routine maintenance, which must be performed by a **Qualified technician, using only original spare parts.**

Failure to comply may jeopardise the safety of the appliance and invalidate the warranty conditions.

By observing the cleaning schedule reserved to the user described in the use and maintenance manual, the generator will be guaranteed correct combustion over time, thus preventing any faults and/or malfunctions which may require subsequent technical assistance. Requests for routine maintenance are not covered by the warranty.

GASKETS: PELLET HOPPER LID, DOOR, ASH DRAWER AND BURN POT

The gaskets ensure the proper sealing of the stove and therefore its proper operation.

They must be periodically checked by the user.

If they are worn or damaged, do not use the stove until they have been replaced.

These operations must be carried out by a qualified technician.

CONNECTION TO THE FLUE

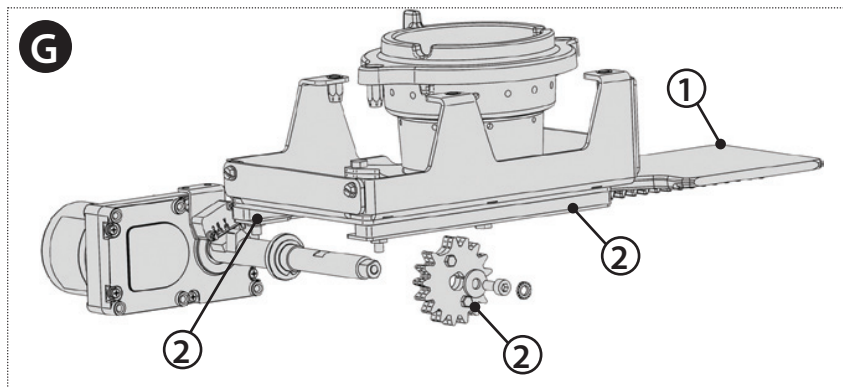
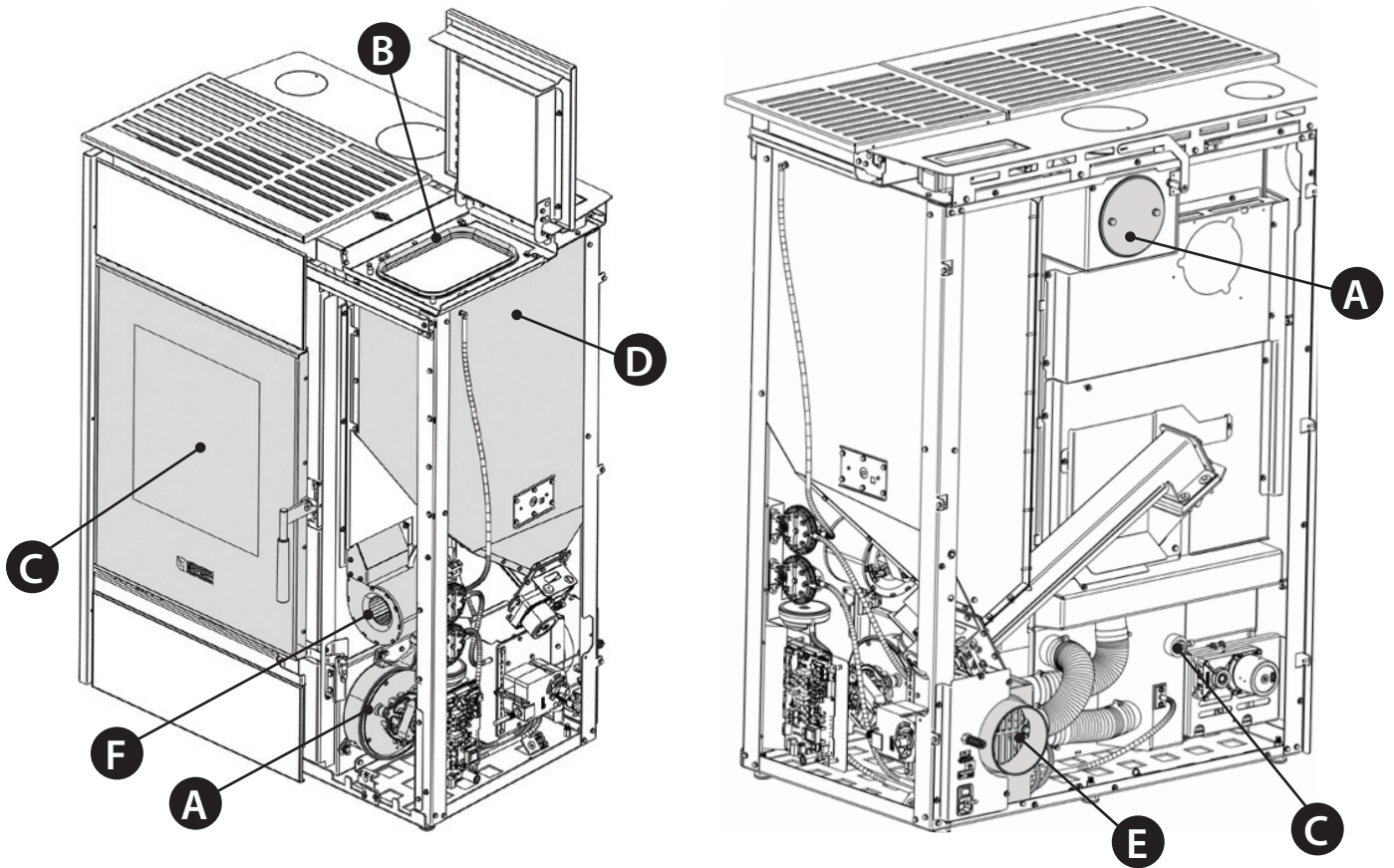
Annually, or in any case each time the flue pipe needs to be vacuumed and cleaned. If there are horizontal sections, the residue must be removed to prevent it from obstructing the flow of fumes.

SHUT-DOWN (END OF SEASON)

At the end of each season, before turning the stove off, it is advisable to completely empty the pellet hopper, removing any pellet residue and dust with a vacuum cleaner.

Routine maintenance must be performed at least once a year.

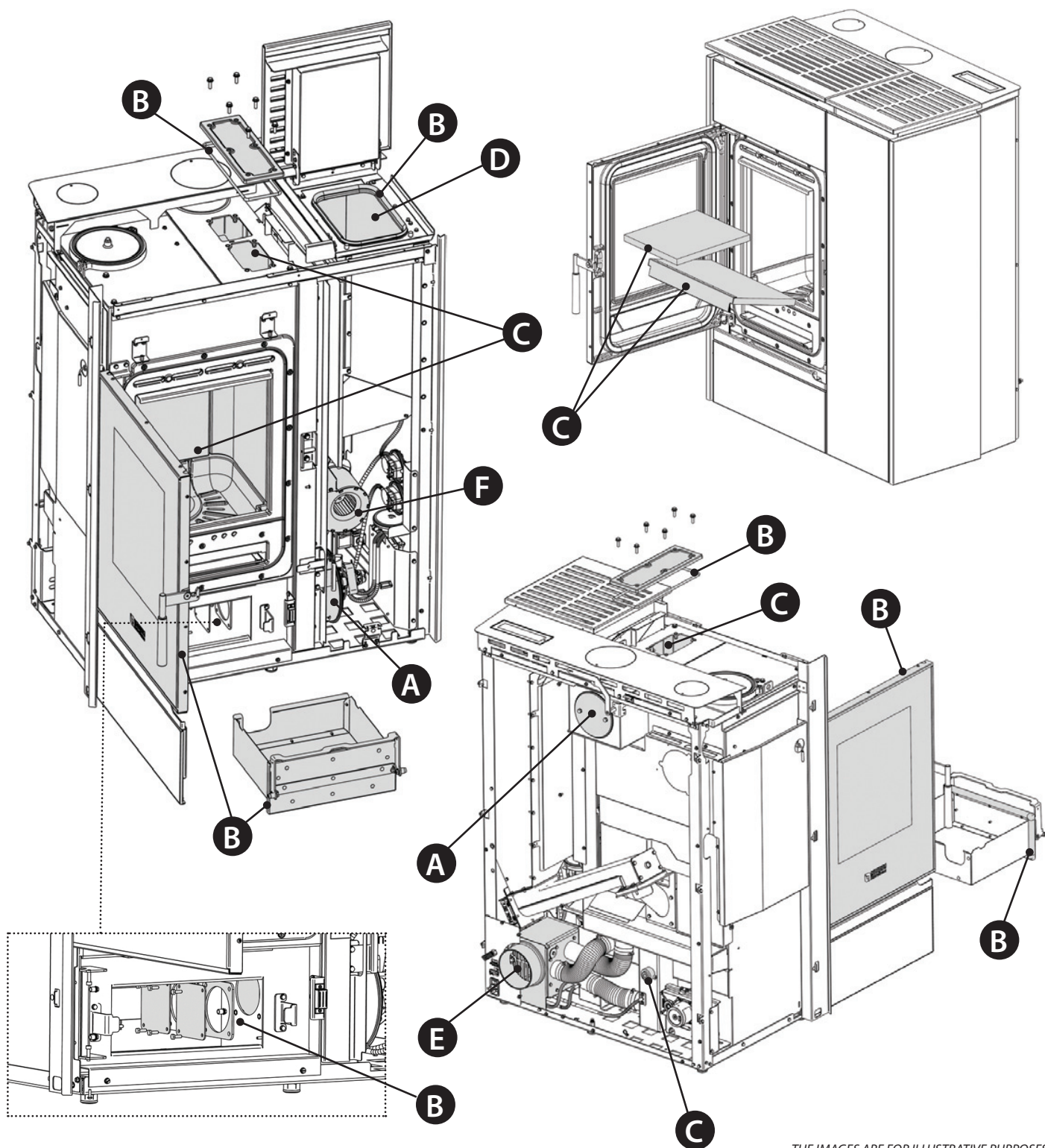
TO FIND OUT WHERE YOUR NEAREST SERVICE CENTRE IS, CONTACT YOUR DEALER OR VISIT THE WEBSITE:
WWW.LANORDICA-EXTRAFLEME.COM



THE IMAGES ARE FOR ILLUSTRATIVE PURPOSES

A	Fumes motor (disassembly and cleaning and fumes pipe and "T"), new silicone in the provided points
B	Gaskets, pellet hopper, inspections, ash drawer and door (replace and apply silicone where indicated)
C	Combustion chamber and heat exchanger (full cleaning) including ignition plug pipe
D	Hopper (complete emptying and cleaning) and check gasket.
E	Check the air intake pipe and check/clean the mechanical pressure switch
F	Remove the room air fan and remove any dust and pellet residue.
G	Cleaning the burn pot base (1) and movement mechanism (2)

TO FIND OUT WHERE YOUR NEAREST SERVICE CENTRE IS, CONTACT YOUR DEALER OR VISIT THE WEBSITE:
WWW.LANORDICA-EXTRAFLAME.COM



THE IMAGES ARE FOR ILLUSTRATIVE PURPOSES


A	Fumes motor (disassembly and cleaning and fumes pipe and "T"), new silicone in the provided points
B	Gaskets, pellet hopper, inspections, ash drawer and door (replace and apply silicone where indicated)
C	Combustion chamber and heat exchanger (full cleaning) including ignition plug pipe
D	Hopper (complete emptying and cleaning) and check gasket.
E	Check the air intake pipe and check/clean the mechanical pressure switch
F	Remove the room air fan and remove any dust and pellet residue.

DISPLAYS

DISPLAY	REASON
OFF	Generator off
START	The PELLET start-up phase is in progress. The generator carries out a combustion air flow check and, if any abnormal conditions are detected, it switches to alarm mode.
PELLET LOADING	Continuous PELLET feeding is in progress during the ignition phase
IGNITION	PELLET sparking ignition phase
PREPARATION	During the preparation phase, the stove stabilises combustion, increasing it progressively, to then start ventilation and switch to WORK
WORK	The pellet work phase is in progress
MODULATION	The generator is working at minimum
FINAL CLEANING	The switch-off phase is in progress.
STAND-BY	Generator off waiting for re-ignition due to the external thermostat.
COOLING STAND BY	A new ignition is attempted when the generator has just been switched off. When the generator switches off, you must wait for the complete shutdown of the fumes motor, then clean the burn pot. The generator can only be re-ignited when these operations have been performed.
BLACK OUT STAND BY	The generator is cooling after a power cut. Once cooling is completed, it will re-start automatically
CLOSE STOVE DOOR	This indication means that you have 60 seconds to close the hatch/door and the pellet lid. Once 60 seconds have passed, during ignition the stove will go into " DEPR ALARM " mode, while during normal operation the stove will go into " COOLING STAND BY " mode before automatically resuming operation once the conditions are satisfied (cold stove, etc.).
CLOSE HOPPER	
HYBRID PREPARATION	The ignition phase of the wood logs in progress using the pellets which are already burning.
WOOD PREPARATION 1	This is a preparatory phase for wood operation. No pellets are fed in during this phase. The machine settings and duration of this phase vary to ensure optimum ignition.
WOOD PREPARATION 2	This is a preparatory phase before wood operation. No pellets are fed in during this phase.
WOOD	Identifies the wood operation phase. The stove settings vary and adapt to the power set by the user.
MIN DELTA-P	The appliance detects abnormal conditions in the combustion air or flue gas outlet flows.
REIGNITION	Preparatory phase for the switch to pellet ignition from wood operation operation.
WOOD START	The fumes extractor is switched on and facilitates the lighting of the wood.
LOAD WOOD	The display tells the user when to reload the wood to continue to meet the heating requirements.
WOOD INSERTED	After closing the door, WOOD INSERTED will be displayed.
OVERLOAD	If too much wood is loaded, the stove will automatically adjust the combustion parameters to maintain safety.
BURN POT CLEANING	The stove discharges any combustion residue with mechanical movements

OPENING	See the ROUTINE CLEANING chapter
CLOSING	See the ROUTINE CLEANING chapter
DO THE CLEANING	See the ROUTINE CLEANING chapter
EMPTY HOPPER	The stove has a sensor that detects the presence of pellets in the hopper. The message " EMPTY HOPPER " is displayed even if a small quantity of pellets remains in the hopper; this ensures that the stove is correctly ignited. Just load pellets above the sensor level to reignite the stove
BLACKOUT	Indicates prolonged absence of power in wood states. Does not modify the operation of the machine.
CHECK BYPASS	The device has detected a prolonged blackout and is checking the correct positioning of the bypass lever. It is not possible to switch the machine on if the test is in progress.

ALARMS

DISPLAY	EXPLANATION	SOLUTION
	Indicates the presence of an alarm.	On: indicates the presence of an alarm The alarm can only be reset if the fumes motor has stopped and 15 minutes have passed since the alarm was displayed, by pressing key 1 for 3 seconds.
FUMES MOTOR FAULT	Fumes motor fault	Contact after-sales centre
FUMES PROBE	Fumes probe fault.	Contact after-sales centre
HOT FUMES	High fumes temperature	Check the pellet feed (see " PELLET EASY SETUP "), if the problem cannot be solved, contact an authorised technician.
NO IGNITION	The pellet hopper is empty. Pellet feed auger empty; it cannot always load the burn pot in time. Pellet feed calibration inadequate.	Check for the presence of pellets in the hopper. Adjust the pellet flow (see " PELLET EASY SETUP "). Check that the routine cleaning has been correctly carried out as indicated in the pellet manual. Repeat the procedures described in the " IGNITION " chapter.
NO FLAME	The pellet hopper is empty. No pellet feed. The gearmotor does not feed pellets.	Check for the presence of pellets in the hopper. Adjust the pellet flow (see " PELLET EASY SETUP ").
DEPR ALARM	The door is not closed correctly. The ash drawer is not closed correctly. The combustion chamber is dirty. The fumes exhaust pipe is blocked/dirty	Check hermetic door closure. Check hermetic closure of the ash drawer. Check cleanliness of the fumes pipe and the combustion chamber. Check that the pellet tank lid is hermetically sealed.
NO IGNITION - BLACK OUT	No power during the ignition phase.	Turn the stove off using key 1 and repeat the procedure described in the " IGNITION " chapter. Other reset operations should be performed by an authorised technician.
AUGER CONTROL ALARM	Abnormal pellet feeding.	Contact after-sales centre
TRAPDOOR BLOCKED	The automatic cleaning of the burn pot is blocked. Burn pot dirty/clogged The door is not closed correctly. The ash drawer is not closed correctly.	Check that the door closes correctly. Check that the burn pot is clear and clean. The automatic cleaning of the burn pot is blocked. If the problem persists, contact the service centre. Check hermetic closure of the ash drawer.

MAX ELECTRICAL CURRENT	The automatic cleaning of the burn pot is blocked. Burn pot dirty/clogged The door is not closed correctly.	Check that the door closes correctly. Check that the burn pot is clear and clean. The automatic cleaning of the burn pot is blocked. If the problem persists, contact the service centre.
AUGER BLOCKED	Abnormal operation of pellet motor.	Contact after-sales centre
CHAMB PROBE	Chamber probe fault.	Contact the after-sales centre.
FAULT DELTA-P	Differential pressure transducer faulty or disconnected.	Contact after-sales centre
DAMPER FAULT	The damper air is blocked or correctly connected	Contact after-sales centre
MIN DELTA-P ALARM 1	The combustion chamber is dirty. The fumes exhaust pipe is blocked/dirty. The vacuum detection channel inside the ash drawers is clogged. The by-pass lever is turned to position 1 (SEE THE "WOOD OPERATION WITHOUT AN ELECTRICAL CURRENT") chapter The bracket (A) is missing or not correctly secured to the stove (see the "WOOD OPERATION WITHOUT AN ELECTRICAL CURRENT") chapter	Check that the fumes pipe and combustion chamber are clean Check and clean the hose connection and the ash drawer pressure switch tube. Turn the by-pass lever to 0. Fasten bracket (A) according to the instructions (see "WOOD OPERATION WITHOUT AN ELECTRICAL CURRENT") Contact after-sales centre
MIN DELTA-P ALARM 2	The ash drawer is not closed correctly. The air intake is clogged. The combustion chamber is dirty. The holes in the burn pot are clogged. The heat exchanger and/or the fume pipe of the appliance are dirty. The T-shaped fitting, the flue pipe or the chimney flue are clogged.	Check hermetic closure of the ash drawer. Clean the air intake. Clean the combustion chamber. Clear the burn pot holes. Clean the heat exchanger and the fume pipe of the appliance. Clean/clear the T-shaped fitting, the flue pipe and the chimney flue. Contact after-sales centre
BYPASS	After a prolonged blackout, the stove has detected that the bypass lever is not in the zero position or/and the main air bracket is open.	When the stove is cold, reassemble bracket "A" provided (make sure the seal is facing upwards) and check that the by-pass lever is turned to position "0". Check hermetic door closure. Check hermetic closure of the ash drawer. Check that the pellet tank lid is hermetically sealed.

Extraflame®

Riscaldamento a Pellet

EXTRAFLAME S.p.A. Via Dell'Artigianato, 12 36030 - MONTECCHIO PRECALCINO (VI) - ITALY
☎ +39.0445.865911 - 📠 +39.0445.865912 - ✉ info@extraflame.it - 🌐 www.lanordica-extraflame.com

MADE IN ITALY
design & production

*TO FIND THE SERVICE CENTRE NEAREST TO YOU
CONTACT YOUR DEALER OR CONSULT
THE SITE WWW.LANORDICA-EXTRAFLAME.COM*

The manufacturer reserves the right to vary the characteristics and the data reported in this pamphlet at any moment and without notice, in order to improve its products.