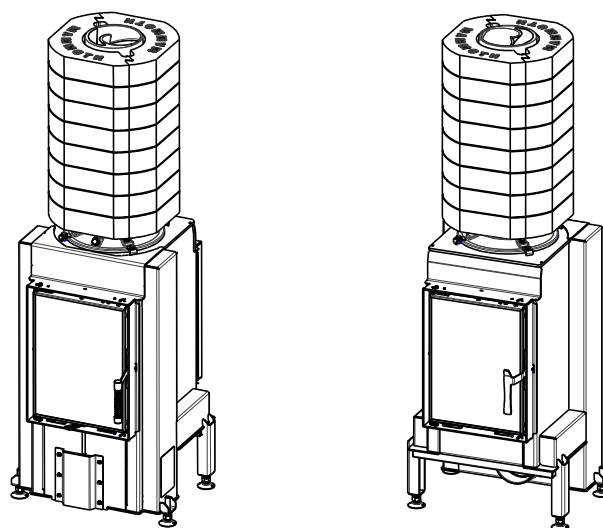
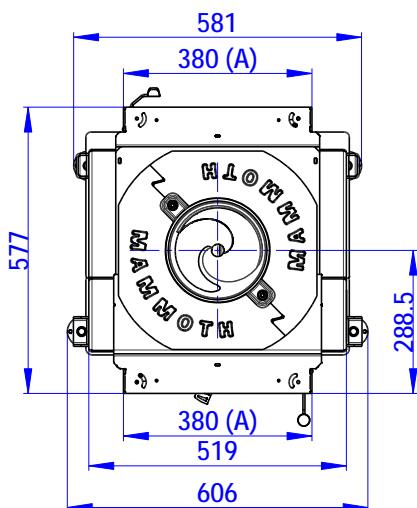
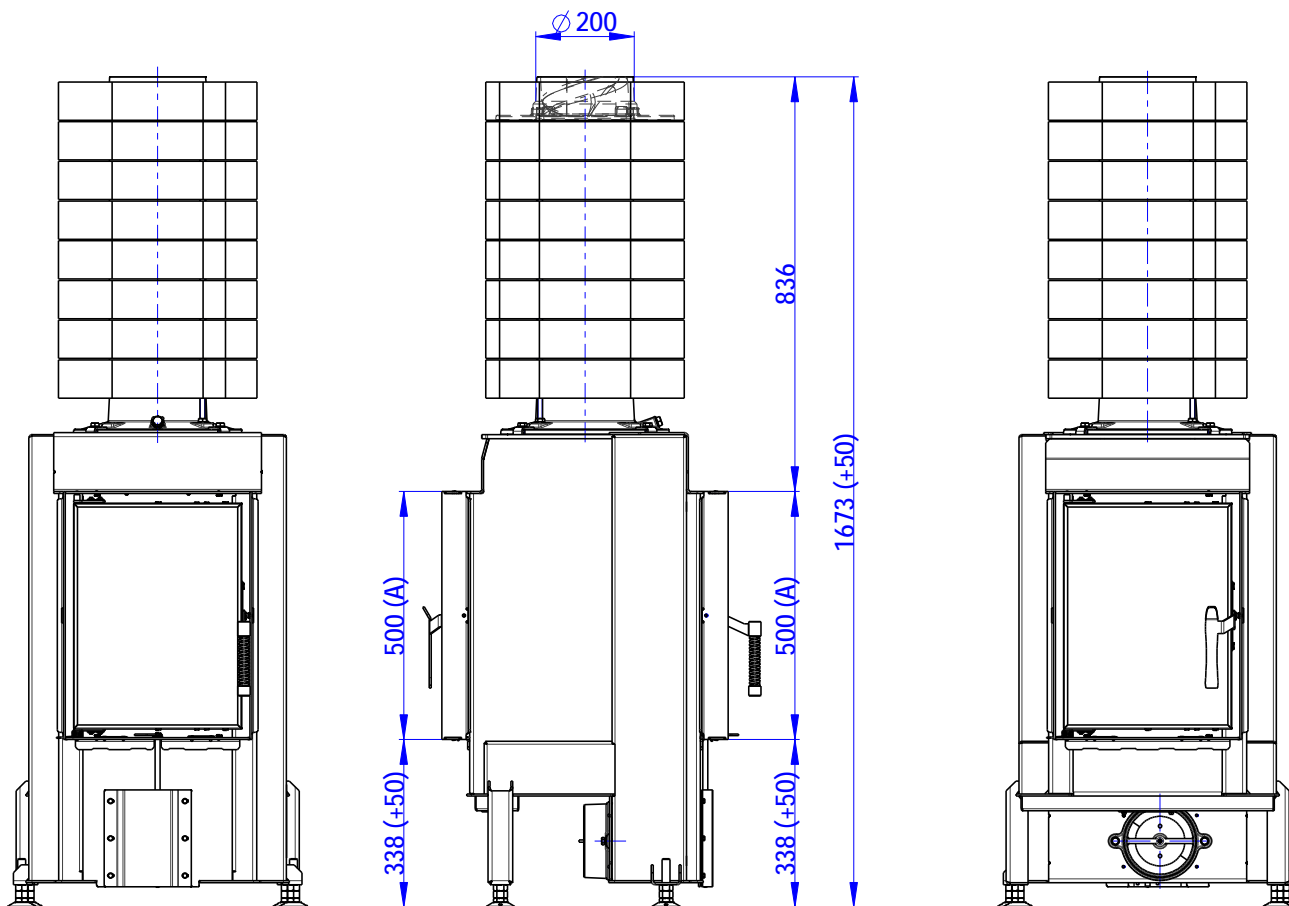


Romotop® Dynamic B 3g 38.50.01M



(A) Zastavbovy rozmer / Baumaße / In-built dimension
 (C) Centralni prived vzduchu / Central air inlet / Zentralluftzufuhr