

PELLET STOVE

RADA AIR TIGHT C



CONTENTS

Introduction and readers of this manual	3
Safety information	4
Dimensions	5
Technical data	6
Unpacking	7
Installation	9
Cladding	14
Instructions for use	17
Maintenance	28
Troubleshooting	31

The original language of this edition is Italian

The undersigned company, EDILKAMIN S.p.A., with registered office in Via Vincenzo Monti 47 - 20123 Milan (Italy) - Italian Tax ID VAT NO. 00192220192

Hereby declares, under its sole responsibility, that:
The pellet stoves mentioned below comply with EU Regulation 305/2011 and the harmonised EU standard EN 14785:2006

PELLET STOVES, bearing the
EDILKAMIN brand, called
RADA AIR TIGHT C

SERIAL NO.: Rating plate reference
RADA AIR TIGHT C
Performance declaration (DoP - EK n° 177)

Moreover, the company hereby declares that:
the RADA AIR TIGHT C wood pellet stoves satisfy the requirements of the following European directives:
2014/35/EC - Low Voltage Directive
2014/30/EC - Electromagnetic Compatibility Directive

Dear Sir/Madam

We thank you for and congratulate you on choosing our product. Before using it, we would ask you to read this manual carefully, so that you can make the most of all its functions in total safety.

This manual is an integral part of the product. We ask you to keep it for the entire lifetime of the product. If you lose it, you can request a copy from your dealer or download it from www.edilkamin.com.

Readers of the manual

This manual is addressed to:

- those who use the product at home ("USER");
- the technician who will install the product ("INSTALLER").

The target person of each page is indicated in a band at the bottom of the page (USER or INSTALLER).

General information

After unpacking the product, check the condition and completeness of the contents.

In the event of error, immediately contact the retailer where the purchase was made, providing him with a copy of the warranty booklet and sales receipt.

The appliance must be installed and operated in compliance with local and national law and European regulations. For the installation, and for anything not specifically indicated in the manual, observe local regulations.

The diagrams provided in this manual are for illustration purposes only: they do not always strictly refer to your specific model, and are not binding in any way.

Product identification and warranty.

The product is uniquely identified by a number, the "counterfoil", which is indicated on the warranty certificate.

Please keep:

- the warranty certificate accompanying the product
- the purchase receipt given to you by the retailer
- the declaration of conformity given to you by the installer.

The warranty conditions are given in the warranty certificate accompanying the product.

First ignition is required, in Italy, by an authorised technician in accordance with UNI 10683, and is recommended in all countries to ensure best results from the product.

This consists of:

- checking the installation documents (declaration of conformity) and the quality of the installation itself
- calibrating the product to suit its actual application
- providing explanations to the end user and issuing the complementary documentation (first ignition - commissioning certificate)

Having the appliance commissioned properly ensures that it will operate to best effect and in complete safety.

First ignition is required for activation of the Edilkamin manufacturer warranty. The warranty is only valid in the country where the product was bought.

If the appliance is not commissioned by an authorised technician, Edilkamin will not provide warranty service. See the warranty booklet for details. The above terms do not affect the dealer's legal responsibility for the legal warranty.

The warranty, however, covers only demonstrable manufacturing defects and not, for instance, problems resulting from improper installation or calibration.

MEANING OF SYMBOLS

In some parts of the manual the following symbols are used:



PLEASE NOTE:

carefully read and understand the message in question, since failure to follow the instructions in it could cause serious damage to the product and put the safety of those using it at risk.



INFORMATION:

failure to comply with these requirements will compromise product use.



OPERATING SEQUENCE:

follow the instructions for the operations described.

- The product is not designed for use by people, including children, with limited physical, sensory and mental abilities.
- The appliance is not designed for cooking purposes.
- The appliance is designed to burn UNI EN ISO 17225-2 category A1 wood pellets, in the amounts and manner described in this manual.
- The appliance is designed for indoor use and in areas with normal humidity conditions.
- Keep the product in a dry place out of the weather.
- For the legal and company warranties, refer to the warranty certificate inside the product: specifically, neither Edilkamin nor the retailer are liable for damage resulting from incorrect installation or maintenance.

Safety risks may be caused by:

- Installation in non-suitable settings, in particular those that are subject to fire risks. **DO NOT INSTALL THE PRODUCT IN AREAS SUBJECT TO THE RISK OF FIRE.**
- Contact with fire and hot parts (e.g. glass panel and pipes). **DO NOT TOUCH HOT PARTS** and, when the stove is switched off and still hot, always wear the glove supplied.
- Contact with live electrical equipment (internal). **DO NOT ACCESS THE INTERNAL ELECTRICAL EQUIPMENT WHILE THE APPLIANCE IS POWERED ON.** Electrocution hazard.
- Use of improper ignition aids (e.g. alcohol). **DO NOT IGNITE OR BOOST THE FLAME WITH FLUID SPRAYS OR A FLAME TORCH.** Serious risk of burns, damage and injury.
- Use of fuel other than wood pellets. **DO NOT BURN WASTE MATTER, PLASTIC OR MATERIALS OTHER THAN WOOD PELLETS IN THE COMBUSTION CHAMBER.** The product may become soiled, the flue may catch fire, and environmental damage may ensue.
- Cleaning the combustion chamber when hot. **DO NOT CLEAN WITH A VACUUM CLEANER WHEN HOT.** You could damage the vacuum-cleaner and risk the emission of smoke in the room.
- Cleaning the smoke duct with cleaning products. **DO NOT CLEAN THE PRODUCT WITH FLAMMABLE PRODUCTS.** Risk of fire or blowback.
- Cleaning the glass pane while hot or

with unsuitable cleaning products. **DO NOT CLEAN HOT GLASS WITH WATER. ONLY USE RECOMMENDED GLASS CLEANING PRODUCTS.** Risk of cracking and permanent, irreparable damage to the glass.

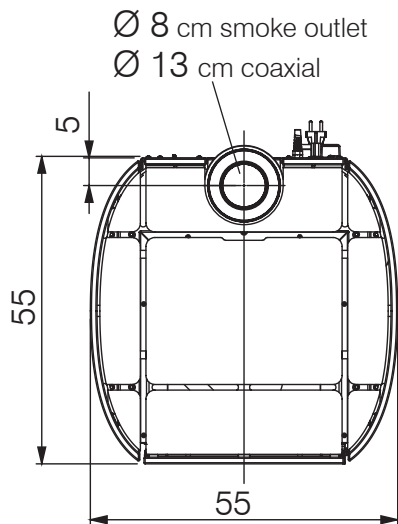
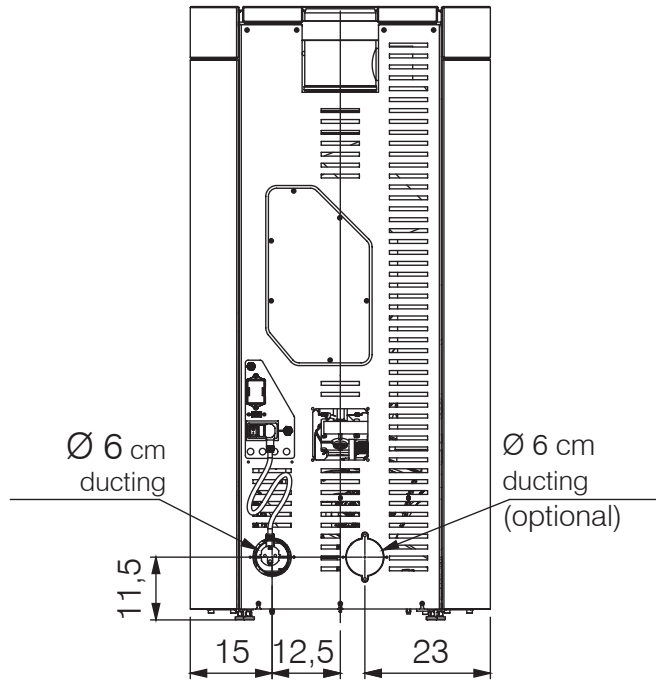
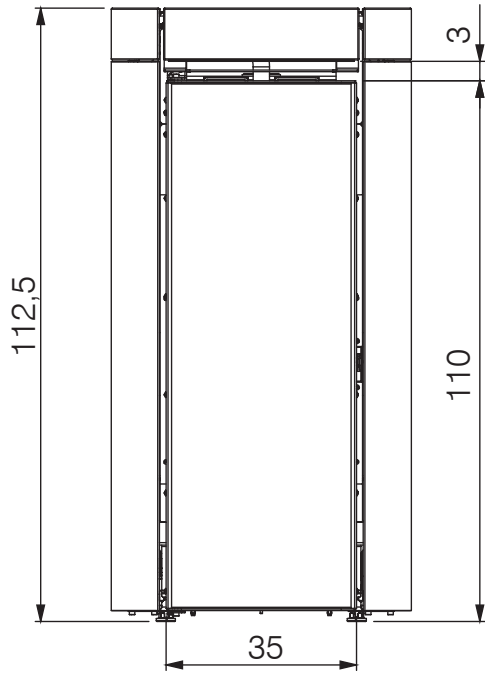
- The storage of flammable materials at a distance which is less than the safe distances listed in this manual. **DO NOT PLACE LAUNDRY ON THE APPLIANCE. DO NOT PLACE DRYING RACKS WITHIN THE SAFETY CLEARANCE.** Keep flammable fluids away from the appliance. Fire hazard.
- Blocking the aeration vents and air intakes in the room. **DO NOT BLOCK THE AERATION VENTS OR FLUE.** Risk of smoke returning into the room with consequent damage and injury.
- Use of the product as a support or ladder. **DO NOT CLIMB ONTO THE PRODUCT OR USE IT AS A SUPPORT.** Risk of damage and injury.
- Use of the stove with the combustion chamber open. **DO NOT USE THE PRODUCT WITH ITS DOOR OPEN.**
- Incandescent material may come out from the open door. **DO NOT** throw incandescent material outside the appliance. Fire hazard.
- Use of water in case of fire. **CALL THE AUTHORITIES** if a fire breaks out.

Switch on the product only after complete installation including coverings. Risk of electric shock from live device parts.

If you have doubts, please do not take any action, but contact the retailer or the installer.

For reasons of safety, read the user instructions included in this manual.

RADA AIR TIGHT C - DIMENSIONS (cm)



TECHNICAL CHARACTERISTICS in accordance with EN 14785

	RADA AIR TIGHT C		
	Nominal power	Reduced power	
Available power	12,8 *	2,8	kW
Efficiency	91,3	93	%
CO emissions at 13% O ₂	0,007	0,023	%
Fumes temperature	186	69	°C
Fuel consumption**	2,9	0,6	kg/h
Tank capacity	24		kg
Draw	11	9	Pa
Autonomy	8	40	ore
Heatable volume **	335		m ³
Fume duct diameter	8-13 F		mm
Weight including packaging	160		kg
Energy efficiency class according to UE 2015-1186 regulation (Class A+ +/G)	A+		

* Achieved power if installed with ducting.

*A calorific value of 4.8 kW/Kg has been used to calculate consumption.

** The heatable volume is calculated based on the assumption of a heating demand of 33 Kcal/m³ hour.

TECHNICAL DATA FOR SIZING THE FLUE

which must in any case satisfy the requirements of this sheet and the installation instructions

	Nominal power	Reduced power	
Fumes temperature at smoke outlet	223	83	°C
Minimum draw	0,01		Pa
Fumes	6,3	4,1	g/s
Typ DIBt	CC 50		

ELECTRICAL SPECIFICATIONS

Power supply	230 Vac +/- 10% 50 Hz
Mean absorbed power	115 W
Reduced absorption Power	52 W
Stand by absorption Power	4 W
Absorbed power on ignition	365 W
Remote control frequency (provided)	2,4 GHz
Protection rating	Fuse 4 AT, 250 Vac 5x20

EDILKAMIN s.p.a. Reserves the right to modify the product without notification in the interests of improvement.

UNPACKING AND PREPARATION

Packing employed materials are not toxic or harmful and do not require specific disposal. Storage, disposal or possible recycling must be provided by the user in compliance with relative applicable laws.

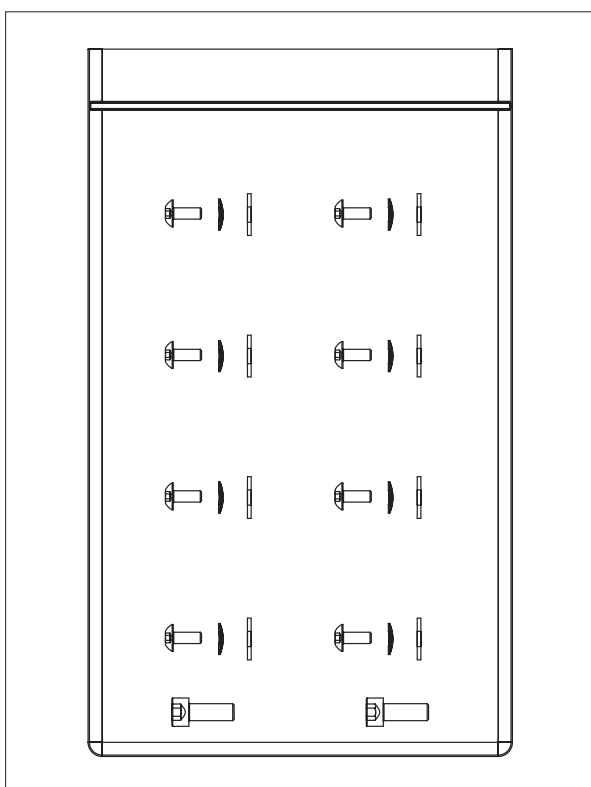
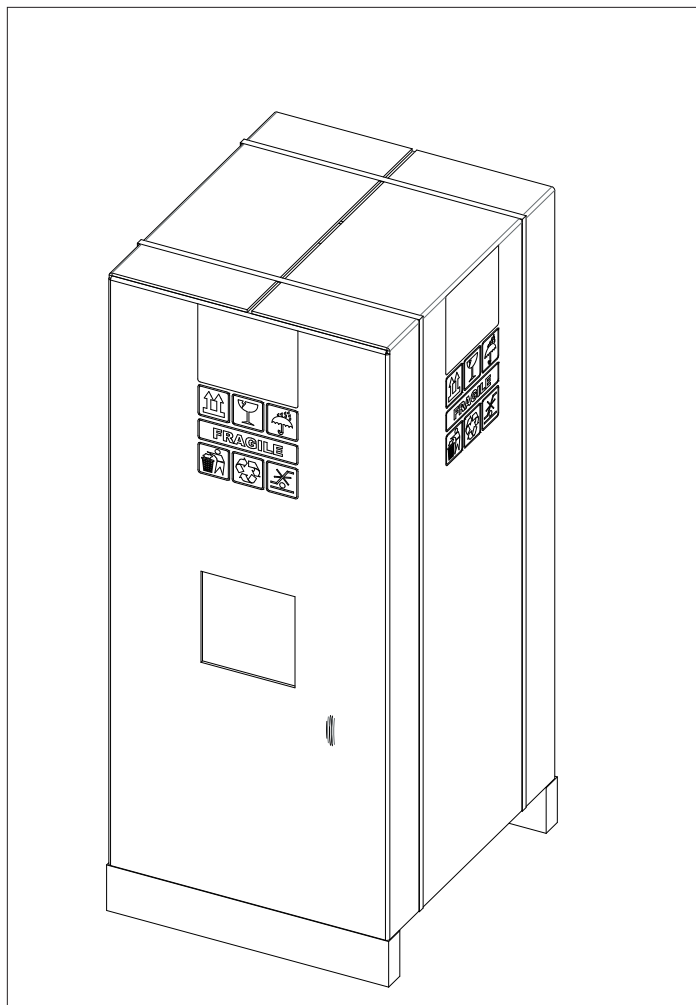


Each handling operation must be performed in vertical position by appropriate means and in accordance with current safety regulations. Do not overturn the packaging.

PACKAGING

Two parcels are included:

- One with the stove structure
- One with coatings
- Stove will include:
- Warranty certificate
- Glove
- User manual
- Power cable
- Remote control
- Coatings fitting small parts
- Hearth door opening and closing cold hand (removable)

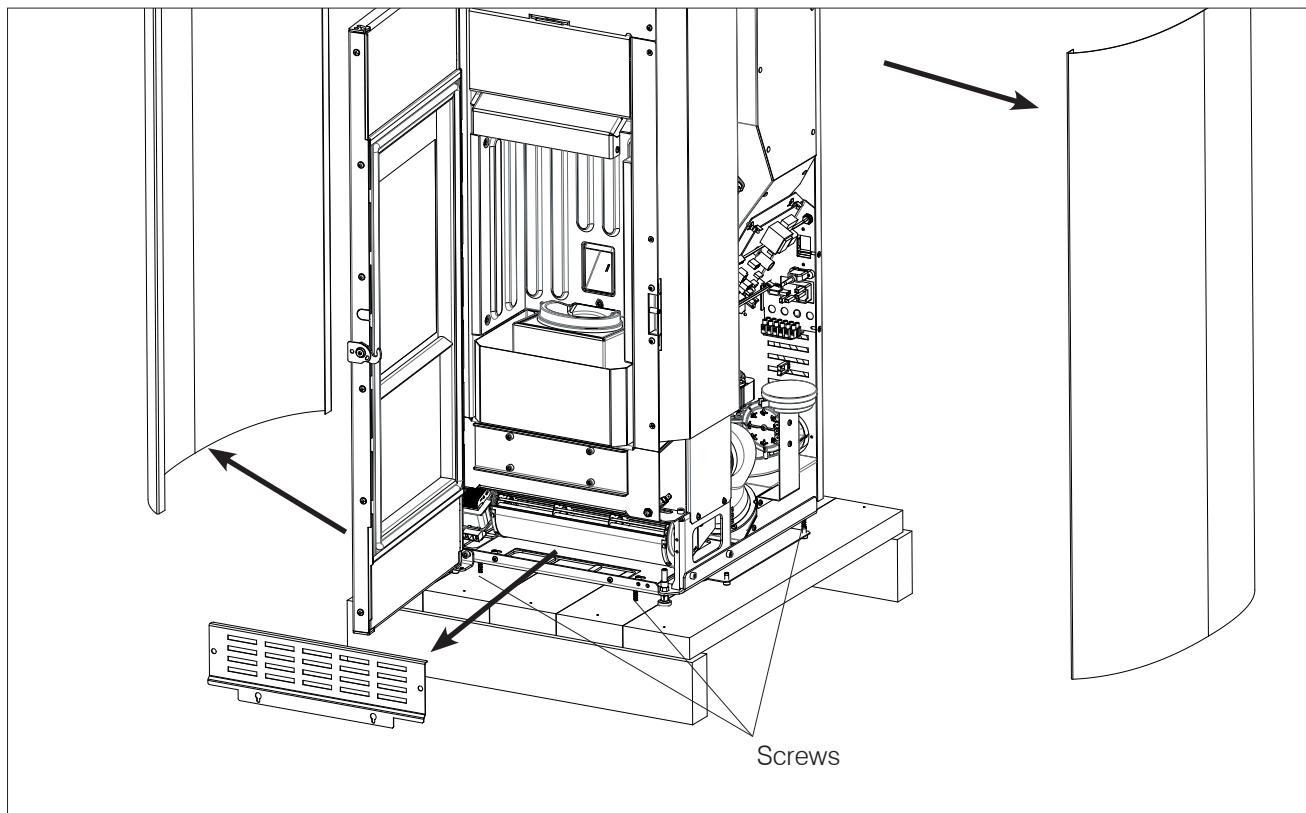
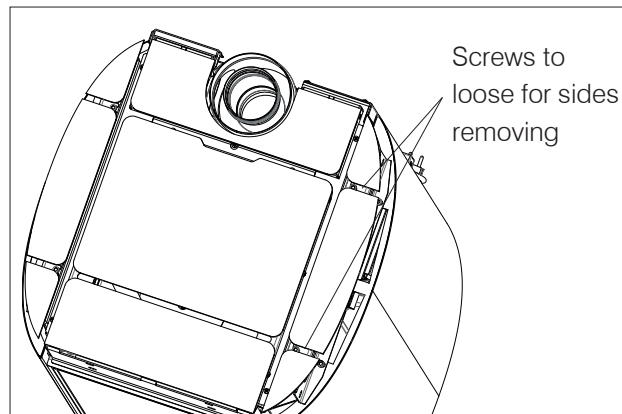




DO NOT REMOVE THE PRODUCT FROM THE PALLET BEFORE OPENING THE DOOR AND LOOSENING THE SCREWS.

HOW TO REMOVE THE STOVE FROM THE PALLET

1. Remove the sides loosening the upper screws
2. Open the door and remove the fan protection grid
3. Remove the 4 screws tightening the stove base to the pallet
4. Fit back the fan protection grid



THE DRAWINGS ARE FOR GUIDANCE ONLY, USEFUL FOR THE INSTALLATION, BUT THEY MAY NOT REFER TO THE SPECIFIC MODEL.

REMARKS ON INSTALLATION

Note that:

- installation must be carried out by authorised technical personnel;
- the appliance must be installed and operated in compliance with local and national law and European regulations. The Italian reference standard is UNI 10683; in France one must follow the instructions in the DTA (Document Technique d'Application Référence Avis Technique), www.cstb.fr
- if installed in a condominium, the appliance must be approved by the administrator;
- if installed in public premises, check and follow local regulations for this type of installation.

Here are a few general instructions, although these do not obviate the need to comply with local regulations and do not affect the installer's liability for the installation.

Remember that Rada Air Tight C is sealed, in other words, if it is installed correctly with the air inlet pipe connected to the outside, it takes the majority of the air from the outside. For different countries, check if there are particular installation conditions allowed for sealed stoves.

Checking the suitability of the installation space

- The room must have a volume of at least 30 m³
- The floor must be able to bear the weight of the product and its accessories* (see the note in the paragraph on the heat protection)
- Level the appliance
- Pursuant to Standard 10683 rev. 2012 point 6.3, in Italy you can also install the appliance in bedrooms or in rooms which already include a product that takes air from it for combustion, provided that the air inlet is connected to the outside
- Do not install the product in spaces where there is a risk of fire or explosion
- In Italy, check the compatibility pursuant to UNI 10683 and UNI 7129 in the presence of gas fired products.

Protection from heat and safety clearances

The surfaces of the building adjacent to the product must be protected against overheating.

The insulation to be used will depend on the type of surface in question.

The appliance must be installed in accordance with the following safety instructions:

- minimum clearance at the sides 15 cm and back of 10 cm from flammable materials
- no flammable materials may be kept closer to the front of the appliance than 80 cm.

If connected to a wooden or otherwise flammable wall, the flue must be appropriately insulated.

If installed on a flammable or combustible floor, or which is not capable of bearing its load*, use steel or glass plates under the stove to distribute the load. Contact the retailer for this type of optional.

Positioning the product

The product is designed to operate in all climate conditions. In special circumstances, such as strong wind, the safety devices may intervene to switch the appliance off.

Contact the authorised Edilkamin Technical Assistance Centre.

INSTRUCTIONS FOR THE SMOKE DISCHARGE WITH OR WITHOUT CONCENTRIC PIPE

FLUE SYSTEM

(fumes duct, flue and chimney pot)

This chapter has been drawn up pursuant to European regulations EN 13384, EN 1443, EN 1856 and EN 1457. The installer must observe both these and any other local regulations. This manual does not in any way substitute such regulations.

The product must be connected to a flue system which ensures that the fumes produced by combustion are expelled in complete safety.

Before positioning the appliance, the installer must check that the flue is suitable.

FUMES DUCT, FLUE

The fumes duct (which connects the combustion chamber smoke outlet with the flue) and the flue itself must, among other regulatory requirements:

- receive the fumes from a single product (the outlets of multiple appliances may not be conveyed into a single flue)
- be routed vertically for the most part
- have no downwards sloping sections
- preferably have a circular internal cross section, or with a ratio of the sides of less than 1.5
- terminate at roof level with a proper chimney pot: the flue may not discharge directly on the wall or into an enclosed space, even if the space in question is open to the sky
- be made of material with rated fire reaction class A1 as per UNI EN 13501 or analogous national regulations
- be certified, with a chimney plate if metal
- be of uniform cross section or vary in cross section only immediately after the outlet, not at some midpoint of its length.

THE FUMES DUCT

- Further to the general prescriptions for the fumes duct and flue, the fumes duct:
- may not be made of flexible metal material
- must be insulated, if routed through unheated areas or outdoors
- must not be routed through rooms where the installation of combustion heat generators is prohibited or there is risk of fire, or that cannot be inspected
- must enable the recovery of soot and be open for inspection
- must have a maximum of 3 bends with a maximum angle of 90°
- if there is a horizontal section, it can have a maximum length of no more than 3 metres, depending on the draw. Note, in any case, that long sections encourage the accumulation of dirt and are harder to keep clean.

THE FLUE:

Further to the general prescriptions for the smoke duct and flue, the flue:

- must only be used for discharging fumes
- must be correctly sized to satisfy the requirements for fume discharging (EN 13384-1)
- should preferably be insulated, in steel with a circular internal section. If rectangular, the corners must have a radius of not less than 20 mm, with aratio of the internal dimensions of <1.5
- must normally be at least 1.5 metres in vertical length
- must have a constant cross section
- must be waterproof and thermally insulated to ensure a good draw
- preferably provide a collection chamber for unburnt residues and condensates
- if pre-existing, must be clean, to prevent fire hazards
- in general, we recommend fitting a tube inside the existing masonry chimney if its diameter is greater than 150 mm.

INTUBATED SYSTEM:

Further to the general prescriptions for the fumes duct and flue, the intubated system:

- must operate in negative pressure;
- must be open to inspection;
- must observe local regulations.

THE CHIMNEY POT (In every country and specially in France, check on the specific waiver conditions)

- must be anti-downdraught
- must have an internal cross section equivalent to that of the flue and a fumes outlet at least double that of the interior of the flue
- for dual flues (which should be spaced at least 2 m apart) the chimney pot receiving the fumes from the solid fuel appliance or that from the higher storey, must be at least 50 cm higher than the other
- it must extend beyond the back flow zone (in Italy, refer to UNI 10683 point 6.5.8.)
- it must allow for maintenance of the chimney.

COMBUSTION AIR INTAKE

The inflow of necessary air for combustion, of air for glass cleaning and heating air renewal must come from the outside

Sealed stoves can also be installed in passive houses. In this case, the air inlet must be a direct air inlet. The stove takes the air from the outside via the air inlet hole.

Install an air intake with an effective surface area (net of the mesh or other protective equipment) at least equal to the cross section of the air inlet hole.

Connect the air intake to the appliance's air intake with a pipe that may also be flexible. Increase the diameter of the pipe if the pipe is not smooth or if it is necessary due to load losses: assess the load losses.

We recommend that it does not exceed 1 metre in length or include any bends.

If you are not interested in the sealing feature of the appliance, you can create an indirect air intake, even if this is not recommended

Install an air outlet at floor level with an effective surface area (net of the screen or other protections) of at least 80 cm² (diameter 10 cm).

To prevent draughts, we recommend installing the intake behind the product or behind a radiator.

Installing it in front of the appliance will create unpleasant draughts.

The air may be drawn from an adjacent room only if:

- the flow is taken from permanent, unobstructed openings communicating with the outdoors
- the air pressure in the adjacent room is never reduced to a level below outdoor pressure
- the adjacent room is not a garage, subject to fire hazard, a bathroom or a bedroom
- the adjacent room is not a shared room in the condominium

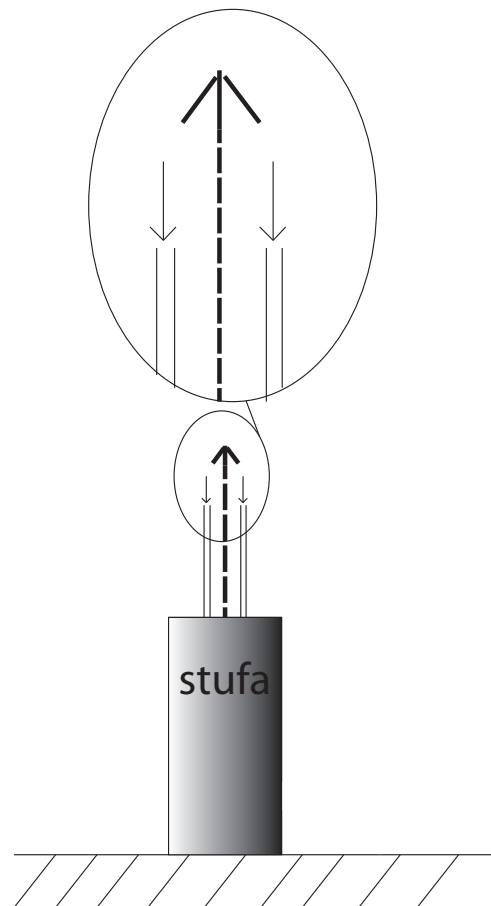
In Italy, UNI 10683 provides that ventilation is sufficient even if a pressure difference between the outdoors and indoors of no more than 4 PA is guaranteed (UNI EN 13384-1). The installer who issues the declaration of conformity is responsible for ensuring these conditions.

USE OF CONCENTRIC PIPES

Without prejudice to the general instructions, you can use concentric pipes (which provide for the passage of smoke inside and the passage of the combustion air into the external circular ring).

This type of installation only needs one hole in the wall, instead of having one hole for the air intake and one for the smoke discharge.

Examples of possible installations. For the smoke discharge conditions (on roof, etc.) check local regulations for sealed pellet stoves.



Upper coaxial fumes discharge and air intake

**CHECKING THE ELECTRICAL CONNECTIONS
(the power socket must be located in an
easily accessible position)**

The stove is equipped with an electrical power cord or connection to a 230V 50 Hz socket, preferably with an electromagnetic switch.

Variations in voltage of more than 10% can compromise the operation of the stove.

The electrical system must be compliant; check the operation of the earth in particular.

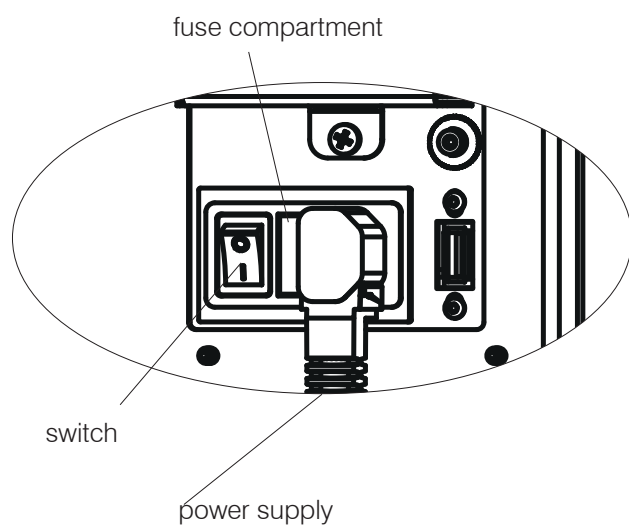
Edilkamin is not responsible for malfunctions resulting from an improperly earthed system.

The power line must be of adequate section for the power of the appliance.

The power cable must not come into contact with the flue or other hot parts of the stove.

Power up the stove by setting its switch from 0 to 1.

There is a 4 A fuse on the socket with switch located at the rear of the stove.



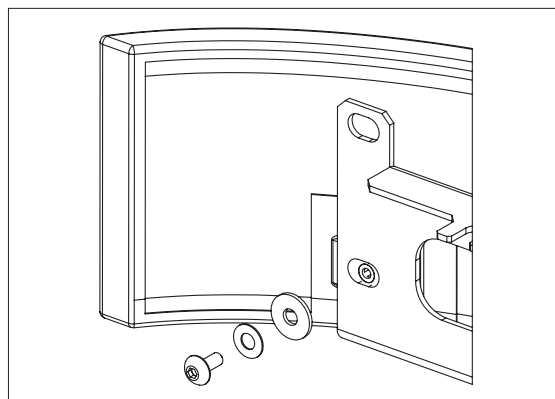
1. With sides removed, assemble the two side tiles to the side fixing bracket using supplied screws and washers

NOTE

Use supplied screws and washers to fix ceramics as shown in sequence.



Do not tighten too much to prevent possible inserts breakage.

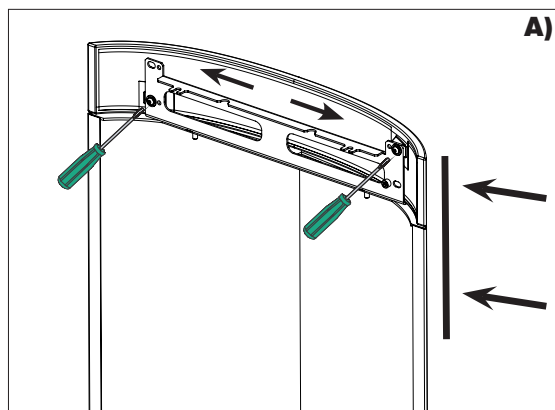


SETTINGS

Tile can be better aligned to the steel side in three different ways:

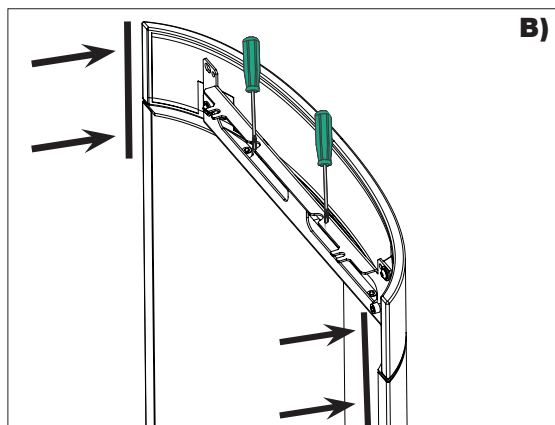
A) Frontal alignment between side and tile.

Tighten the screws shown in figure, keeping the tile front edge leveled with the side as indicated by the arrows.



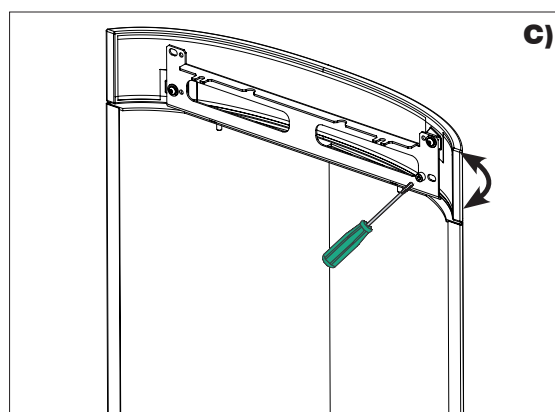
B) Side alignment between side and tile.

Loosen the screws shown in figure. Keep tile side edges leveled with the side as indicated by the arrows and tighten the screws.



C) Front tile angle

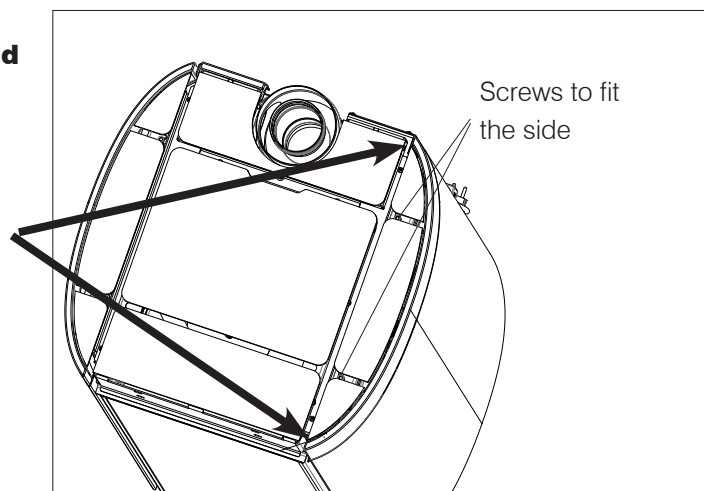
Tighten the screw (supplied) shown in figure to the steel holder without touching the tile. Lightly tighten the screw so that it will be gently pushing on the inner part of the tile to adjust tile frontal angle.



2. Fit back the sides inclusive of brackets and ceramics, screwing them on the upper part.

SETTINGS

Align the upper ceramic edge with the top one.



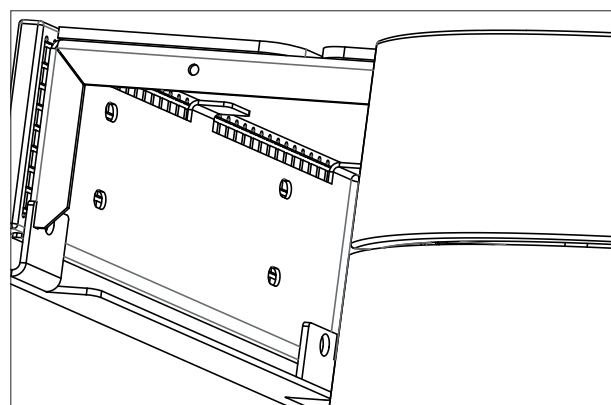
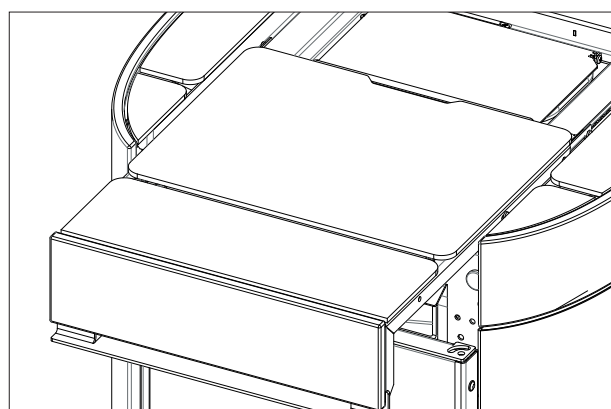
3. Open the sliding lid fitting the front tile with supplied screws and washers.

SETTINGS

Align the front tile so that it is centred compared with the top and at the same side tiles height level.

NOTE

Use high temperature silicone to fix the tile well; just apply a layer right in the middle of the tile to fix it to the tinny holder

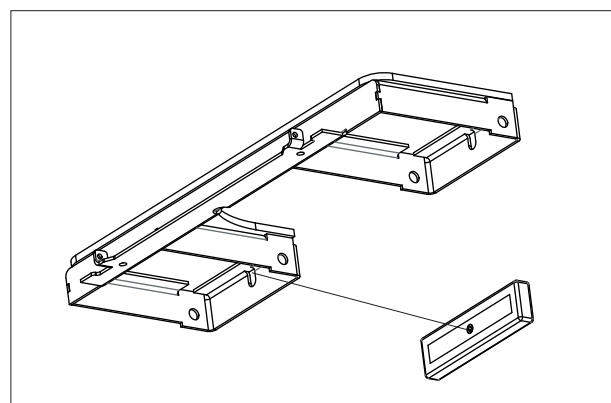
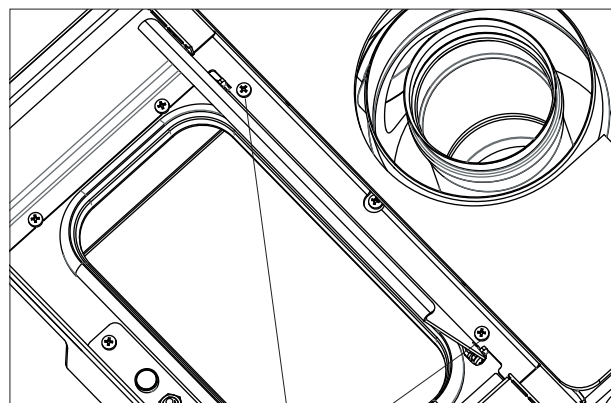


4. Loosen the screws holding the tank lid hinge to the body and remove the rear part of the fixed top where product coaxial joint is located.

Fit the two remaining tiles using supplied screws and washers.

Fit the two remaining tiles using supplied screws and washers.

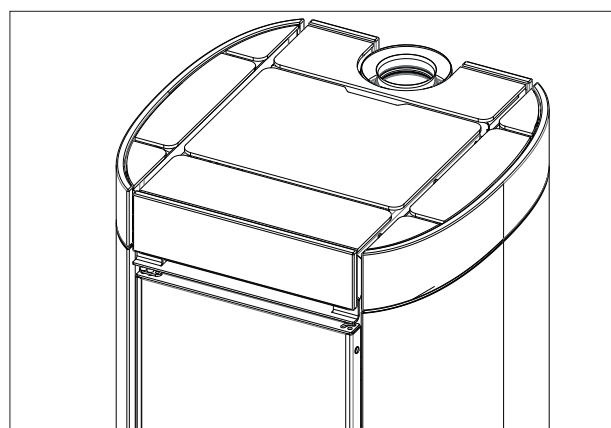
NOTE: Use high temperature silicone to fix the tile well; just apply a layer right in the middle of the tile to fix it to the tinny holder. sufficiente stendere un codone orizzontale nel centro della piastrella per fissarla al supporto metallico.



Fit back the rear top and the tank lid

Close the sliding top

See picture



FIRST IGNITION (COMMISSIONING) PHASES

- Make sure you have read and understood this manual
- Remove all flammable materials from the appliance (manuals, labels, etc.). In particular remove any labels from the glass
- Make sure that the technician performs the first ignition and the first loading of the pellet tank (see "pellet loading")

PELLET LOADING

Gently slide the top until the end stop to load pellet. Open the inner hatch and just pour pellet making sure not to spill it out jamming sliding top telescopic guides. Close the loading hatch and the sliding top.



On first ignition, there may be a slight smell of paint, which will disappear in a short time.

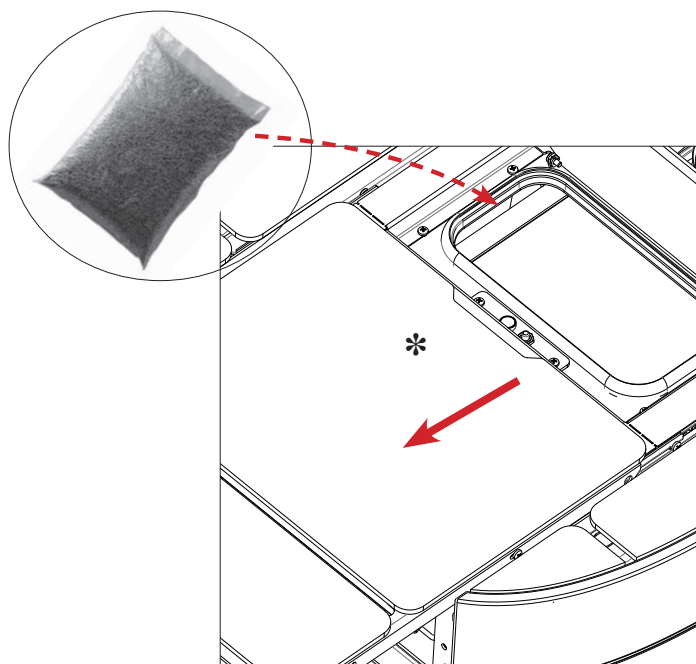
FUEL

Use UNI EN ISO 17225-2 category A1 wood pellets or similar regulatory products with the following characteristics.

- diameter 6 mm
- length 3-4 cm
- humidity < 10 %

For reasons of safety and environmental compatibility, DO NOT burn plastic, painted wood, coal, bark or other such materials in the stove.

Do not use the stove as an incinerator



Caution
Using fuels other than those specified can damage the appliance



When the stove is hot, DO NOT MAKE CONTACT between the pellet bag and the top grille.
Use the provided glove when loading the stove while it is operating and hence hot to the touch.
Make sure not to touch the smoke discharge pipe if hot.



Product can be commissioned only after coverings installation.
Switch on the product only after complete installation including coverings.
Risk of electric shock from live device parts.

OPERATION

Description. The access to and adjustment of these functions is described below:

Mode	Size settings
MANUAL	<ul style="list-style-type: none"> power level ventilation level
AUTOMATIC	<ul style="list-style-type: none"> desired room temperature ventilation level
CRONO	<ul style="list-style-type: none"> desired room temperature, selected per day of the week ventilation level

The stove also has the following supplementary functions.

Function	In which mode it can be activated	What it does
STAND BY	automatic crono	when the desired temperature is reached, the stove shuts off and turns on again when the temperature drops
RELAX	manual auto-matic crono	enables natural convection mode (fan off), thus reducing the power
NIGHT	manual auto-matic	allows you to set the stove to go out after a given number of hours

OPTIONAL CONNECTIONS

The technician can supply, on request: external thermostat, telephone dialler for connection to the logic board

PHASES

Further to the above operational procedures, the stove has the following phases

- Ignition

Flame ignites and grows stable.

This is the result of:

- manual ignition with ignition button
- request from Crono
- power request during stand by
- request from external contact

Ignition has a variable duration, with the aim of reaching the start temperature

- Switch-off (display reads OFF)

The flame is extinguished and the stove cools down.

This is the result of:

- manual switch-off with switch-off button
- power demand ceases with Stand by function active
- request from Crono
- request from external contact

Switch-off has a variable duration, with the aim of reaching the stop temperature

- Shutdown

Switches the stove off in response to an alarm

INTERFACE

The user interface is the remote control but, if this is not available, you can control the stove with the button on its rear (see figure)

1. WITH THE STOVE OFF

press the button for 2" to turn the stove on.

2. WITH THE STOVE ON

press the button for 2" to turn the stove off.

3. WITH THE STOVE ON IN MANUAL MODE

by pressing one time and immediately releasing the button, you can increase the operating power.

REMOTE CONTROL

Characteristics:

RF transceiver module, frequency 2.4 GHz - Powered by two AAA 1.5 V batteries rated at least 1200 mAh. Risk of explosion if the batteries are replaced with other batteries of an incorrect type.

ON/OFF button

manual on/off button and for switching the remote control from energy saving mode to active heating

4 buttons:

+: increment button (increases the stove's power, temperature or fan speed, etc., or scrolls through the menu)

-: decrement button (decreases the stove's power, temperature or fan speed, etc., or scrolls through the menu)

M: menu key / relax mode key

OK: confirm key, switches to the next setting and between automatic and manual modes

NOTES

- The remote control does not store the programs, which are stored on the logic board; there is thus no need to reprogram it when it is shut off or replaced by a new one.
- The remote control exchanges information with the logic board (including room temperature sensing for automatic mode operation) every 2' and when it is activated by pressing the ON/OFF button.
- In normal use, the batteries of the remote control should last a year. This is an approximate value, since it depends on the type of batteries and the intensity of use. Edilkamin and the retailer will not consider claims for battery life under any circumstances. If the battery charge is low, a warning displays at the top left (see paragraph "troubleshooting").



THE TRANSMISSION OF THE SIGNAL FROM THE REMOTE CONTROL TO THE PRODUCT IS CONFIRMED BY A BEEP. IF THE BEEP IS NOT EMITTED, THE BUTTON WAS NOT PRESSED FOR LONG ENOUGH.

REMOTE CONTROL POWER SAVING

If the remote control is not used for 20", the display turns off to save power. The display turns black without text. It is an indication referred to the remote control only, not to the product state.

The display come back on by pressing the ON/OFF button.

DO NOT PRESS THE ON/OFF BUTTON REPEATEDLY; in manual mode, this turns the product on and off.



REMOTE CONTROL POWER

- **Open the bottom of the remote control and insert the 2 batteries in the indicated orientation.**
 - **Give power to the appliance.**
 - **PRESS THE ON/OFF BUTTON WHEN YOU HEAR THE BEEP**
- Otherwise the remote control will not work.**

If this is the first power on and the language has not yet been set, the language selection screen will display.

Select the language with the +/- keys and confirm it with OK. You are now asked to confirm or set the Time and Date. Set the values with the +/- keys and confirm with OK. The day of the week is calculated automatically using a perpetual calendar.

The display reads the **POSSIBLE STATES** described below:

- OFF STATE

The product is shutting down or is off in response to a manual switching off by using the ON/OFF button of the remote control or due to an external contact (crono, phone dialler)

The display shows the current time, room temperature and the status in relation to which the product is OFF.

The product is OFF:

- due to manual operation of the user (fig. 1)
- due to power failure (fig. 2)
- due to shut off by Crono mode (fig. 3)

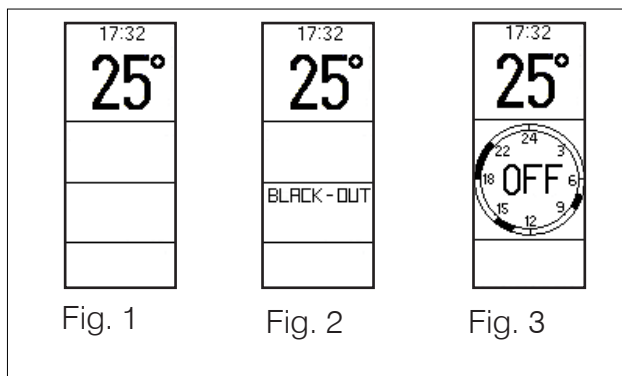


Fig. 1

Fig. 2

Fig. 3

From the OFF screen, press the ON/OFF button for 3 seconds to switch to the ON screen.

Pressing the +/- keys has no effect.

Pressing the M key displays the menu.

- ON STATE

The product is ON.

The display shows (figure 4)

1. the current time
2. the current room temperature
3. the room temperature setting or manual mode
4. the power level (represented by the flames)
5. the fan level (represented by the filling in of the blades)

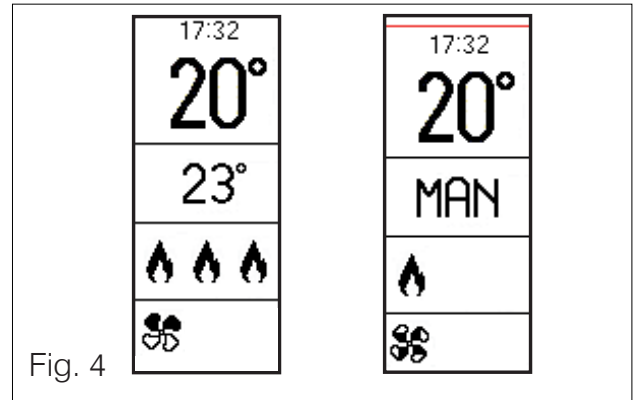


Fig. 4

If timer programming is active, 3 and 4 are replaced by the day's timer programming with the current setpoint at the centre (figure 5) and the temperature displayed at the top right.

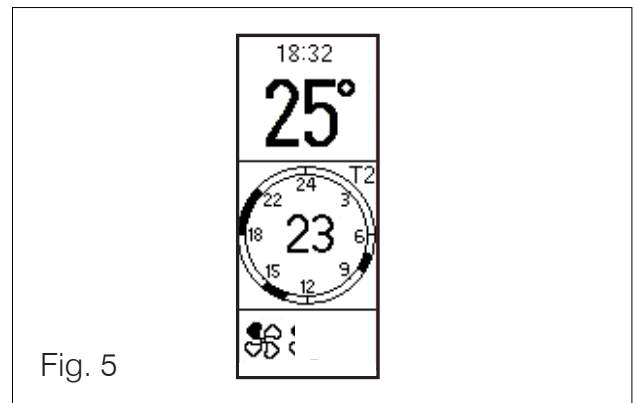


Fig. 5

- ALARM STATE

In case of shutdown due to alarm, 4 is replaced by a message indicating the type of shutdown (figure 6)

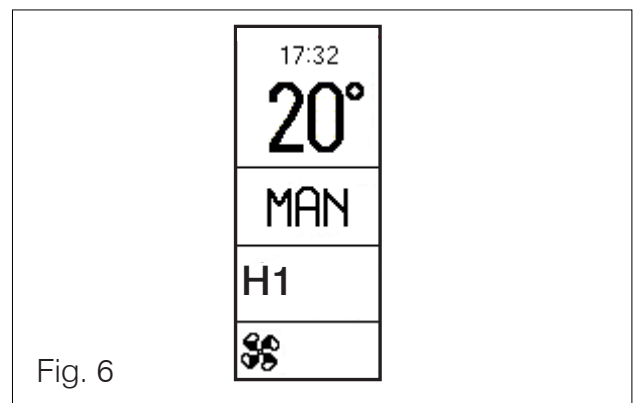


Fig. 6

- STAND BY STATE

Situation in which there is no demand for heating.

If the Stand By function is active, the display shows the same information as in the ON state without flame (on the top left you will see "STB").



While in stand-by mode, and ON, the product turns on only if there is a heat request

USER CONTROLS (REMOTE CONTROL)

- ON/OFF

- Switch-on/switch-off

- Manual mode setting

- Power setting
- Fan setting

- Automatic mode setting

- Temperature setpoint setting
- Fan setting

- RELAX function

- From the **Menu screen:**

- **Pellet Load** (shown only when the product is OFF)
- **Stand By**
- **Crono**
- **Night** (shown only when the Crono is OFF)
- **Date / time**
- **Display**
- **Language**
- **Beep**
- **Info** (technician only)
- **Technical Menu** (technician only)



We describe the procedures below.

ON/OFF

hold the ON/OFF button down to turn the product ON. When ON, the product has a flame (ignition phase, etc.) when there is a heating demand.

Switch-on/switch-off

The ON/OFF button switches the product on (starts the ignition phase) or off (starts the switch off phase) manually **in Manual mode only.**

In Automatic mode, the product responds to the heating demand.

Setting Manual/Automatic

Press the OK button for two seconds to switch from manual to automatic or vice versa.

In Manual mode, the display reads "Man".

In Automatic mode, the temperature displays.

In automatic:

Set Room Temperature (read by the remote control, this should be positioned in the room the product is installed in).

Set the temperature setpoint (Set) with the "+" and "-" buttons.

In manual:

Power setting

Set the power level (displayed by the flame symbol) with the "+" and "-" buttons.

The power level displays next to the flame symbol.

Ventilation setting

Follow the instructions below to manually regulate the power levels of the fan.

Press "OK" once.

The fan setting displays, next to the blade symbol representing the fan.

Set the fan level with the "+" and "-" buttons.

The blades fill in to indicate the current setting.

Confirm by pressing the OK button.

FAN SETTINGS

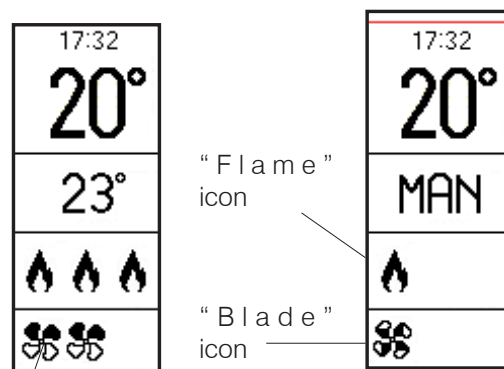
Speed on Fan 1, 2 and possibly 3 (optional) can be controlled manually as follows. Press the OK key once. Speed level will appear just beside the fan blade icon. Use "+" or "-" keys to change the fan speed. Fan blades "filling" will show selected level. Press the OK key for 2 seconds to confirm.

Fan 1 can operate according to room temperature target (decrease when close to target or increase to achieve it). Press the "+" key above speed maximum level to enable the operating mode. Letter "A" will appear beside the fan blades icon.

Fan 2 and 3(optional) can be controlled using "+" and "-" keys as described above or operate according stove working power (speed increasing together with raising working power and viceversa). Press the "+" key above speed maximum level to enable the operating mode. Letter "A" will appear beside the fan blades icon.

Nearest Edilkamin Technical Assistance Centre must be contacted to install probes in order to set up fan 2 and 3(optional) working mode according to room temperature target.

NUMBER BESIDE "BLADE" OR "FLAME" ICONS WILL APPEAR DURING SETTINGS ONLY



Position 1


USER INSTRUCTIONS

- Relax function

Natural convection function (without ventilation) with automatic power limiting.

This function is available in all modes: automatic, manual and crono.

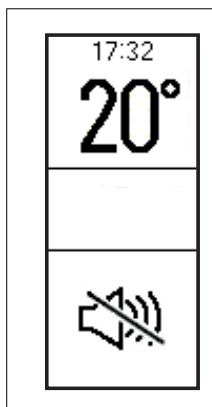
Hold down the “M” button for two seconds to activate the Relax function.

The display reads the  symbol, as shown below.

Hold it down again to deactivate it.

The product reduces its power output and after a few minutes switches the fan off too.

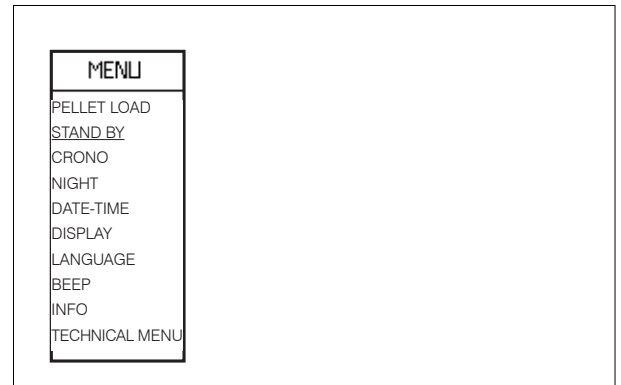
Pressing OK or “+” or “-” in this mode has no effect.



- Stand by

When the Stand by function is active, in automatic and crono modes, the product shuts off when the temperature setpoint is reached and turns on again when the room temperature drops.

When the Stand By function is not active, the product sets itself to minimum power when the temperature setpoint is reached.



To access the function from the main menu (as indicated in the Menu section above), press the M button. Scroll using the +/- buttons and select the function by pressing the “OK” button.

Use the “+/-” buttons to select OFF or ON.

To exit without saving, press the “M” button

If you selected ON, the display shows the minutes for which the product will continue running at minimum power even when the temperature setpoint has been reached.

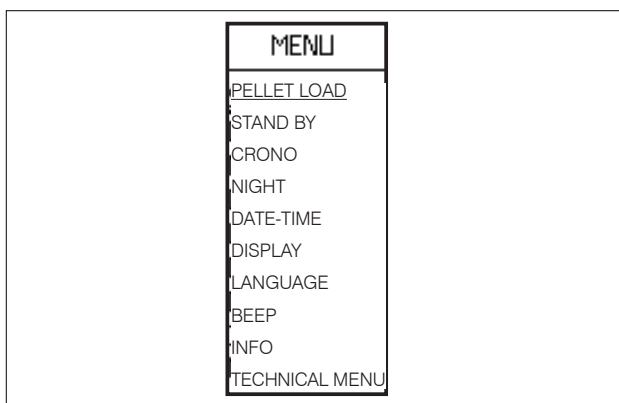
Use the “+/-” buttons to increase or decrease this time in minutes.

Press “OK” for two seconds to confirm and return to the previous menu level.

Press the ON/OFF button to return to the main screen.

Menu

Press the “M” button to display the menu.



When the menu displays, the buttons have the following functions:

“+” : scroll up

“-” : scroll down

press and release “OK”: enter menu option

press and release “M”: quit menu option

Press the ON/OFF button to confirm and return to the main screen.



The product is programmed by default with a delta of +/- 1 °C to optimise comfort.

The technician can change this setting during commissioning to suit the needs of the application.

The display shows the temperature rounded down. This means that 20.1°C and 20.9°C are indicated as “20°C”.

E.g., with the room temperature set to 20°C, the product will enter modulation mode/switch off when a temperature of 21°C is reached and will switch on again below 19°C.

Crono

When the Crono function is active, the user sets a temperature setpoint and a time zone for which that setpoint is specified.

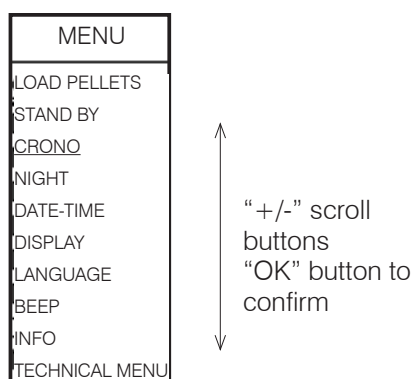
The setting involves different steps, which do not need to be consecutive:

- enabling the Crono mode to 7 days a week or on single days (“ENABLE” on the display);
- setting three temperature setpoints, making sure that T1 is always lower than T2 and T2 lower than T3 (“TEMP” on the display);
- combining one of the three temperatures (T1, T2 or T3) with a time period (“SET” on the display).

Once the settings are complete, you can display/change the time periods and the set temperatures (“CHANGE” on the display).

The ON/OFF button always allows you to return to the main screen.

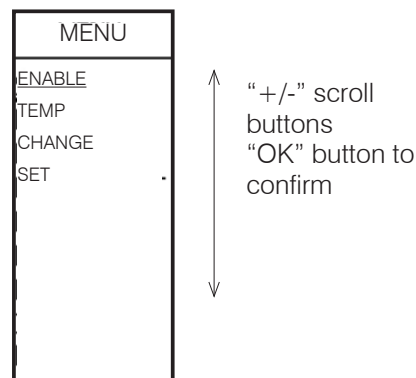
To enter the Crono function from the main menu, press “M” once from the active display. Scroll down to “Crono” (underlined) using the “+/-” buttons. Press “OK” to confirm and select the Crono function. To go back to the previous screen press the “M” button.



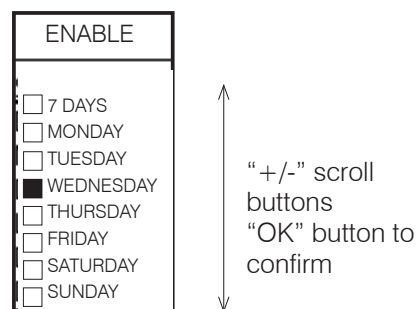
The following screen will appear. Scroll to “ENABLE” (underlined) using the “+/-” buttons.

To enable the Crono function to 7 days a week or on single days (“ENABLE” on the display), press the “OK” button.

To go back to the previous screen press the “M” button.



Scroll to the desired position (eg. “7 DAYS”, underlined) using the “+/-” buttons.

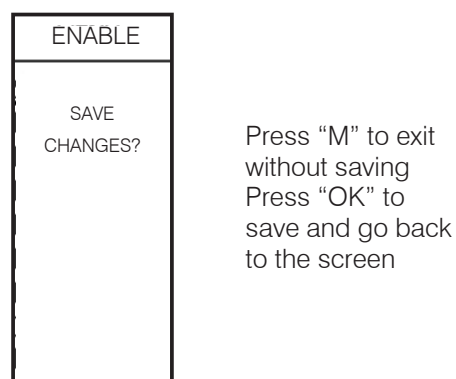


The selected option is identified by a black square on the right, instead of a white one (e.g. on Wednesday if selected).

To continue with other changes, press the “OK” button.

To choose between exit without saving and save, press the “M” button.

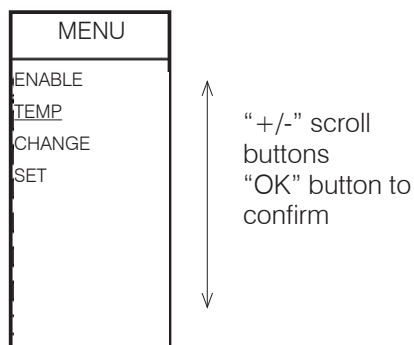
The following screen will appear.



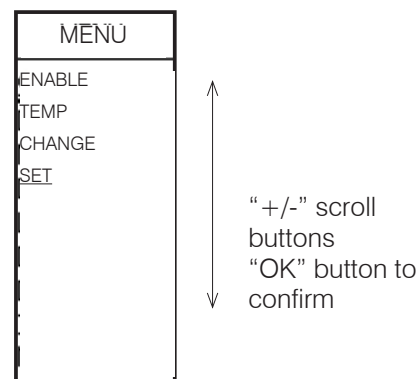
The Crono function is disabled when none of the items is selected.

When the Crono function is disabled, the product operates in automatic mode.

To set the temperature setpoints (“TEMP” on the display), from the Crono function, press the “OK” button. The following screen will appear. Scroll to “TEMP” (underlined) using the “+/-” buttons. Press the “OK” button to confirm and select “TEMP”. Press the “M” button to go back to the previous screen. Press the “OK” button to enter the “TEMP” function.



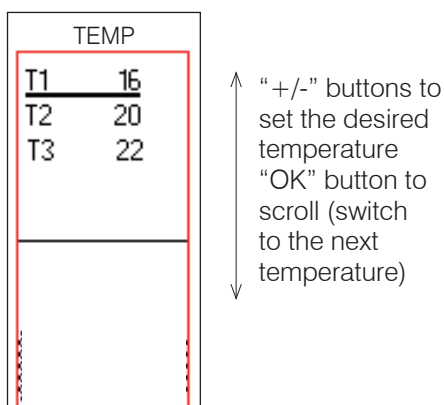
To combine one of the three temperatures to a time period (“SET” on the display), from the Crono function, press the “OK” button. The following screen will appear. Scroll to “SET” (underlined) using the “+/-” buttons. Press the “OK” button to confirm and select “SET”. Press the “M” button to go back to the previous screen. Press the “OK” button to enter the “SET” function.



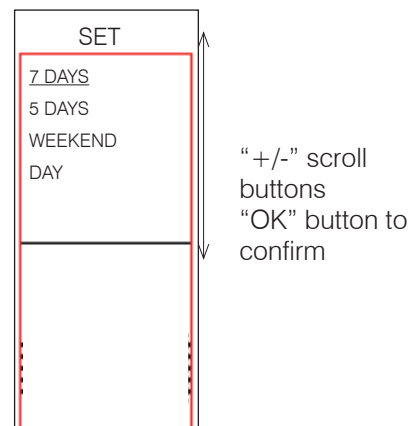
The Crono has three adjustable setpoints: T1, T2 and T3 (screens below).

Press the “OK” button to switch between the setpoints. Use the “+” and “-” buttons to set the desired temperature setpoint for each level.

T1 must always be lower than T2 and T2 lower than T3; if you try to set a T1 temperature that is higher than T2, the T1 temperature will automatically match T2.



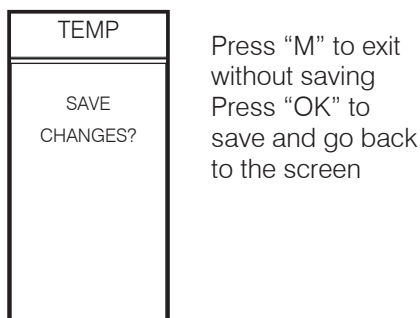
The first page (below) allows you to choose whether to apply the same Crono configuration for 7/7 days, 5/7, weekend only or day by day.



To continue with other changes, press the “OK” button.

To choose between exit without saving and save, press the “M” button.

The following screen will appear.



NOTE

Press the O/I key to switch on/off the product, outside setted time periods, when Crono mode is enabled. Crono mode will be disabled.

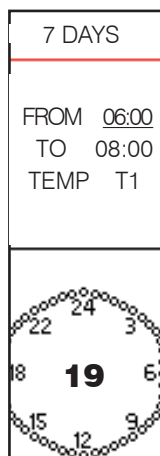
See instructions on the Crono section to restore the Crono mode.

The second screen (accessible by pressing the “OK” button from the first screen) allows you to set the start and end time of the time period matching the chosen temperature setpoint (T1,T2 and T3).

The set temperature is shown in the middle of the clock.

This is done in steps of 30'. The periods that the appliance is ON are shown with the dots of the numbers in black. The periods shown with the dots of the numbers in white, the appliance is OFF.

The setting screen is the following.



Press the “+/-” buttons to change the switch-on time. Hold the button down to scroll through the times more quickly.

Press the “OK” button to confirm and go to the end time setting.

Press the “+/-” buttons to change the switch-off time. Hold the button down to scroll through the times more quickly.

Press the “OK” button to confirm and go to the temperature selection (T1, T2 or T3).

Press the “+/-” buttons to switch between the temperatures.

To continue with other changes, press the “OK” button.

To choose between exit without saving and save, press the “M” button.

The following screen will appear.



Press “M” to exit without saving
Press “OK” to save and go back to the screen

To view/change the settings (“CHANGE” on the display), from the Crono function, press the “OK” button. The following screen will appear.

Scroll to “CHANGE” (underlined) using the “+/-” buttons.

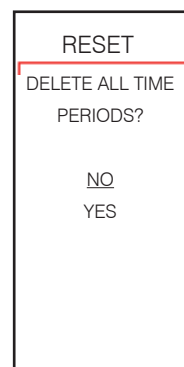
Press the “OK” button to confirm and select “CHANGE”.

To go back to the previous screen press the “M” button.



↑
“+/-” scroll buttons
“OK” button to confirm
↓

From the “CHANGE” function, in addition to changing/ viewing the “7 DAYS”, “5 DAYS”, “WEEKEND”, “DAY” programming, you can **erase all time settings using the “RESET” function.**



Use the “+/-” buttons to switch between YES and NO
“OK” button to continue with other changes

Night (deferred switching on/off)

This function switches the product on/off after a set period from activation of the function.

This is convenient if you go to bed and want the product to switch on/off after a few hours (12 hours maximum).

Activating the Night function

To access the function from the main menu (as indicated in the Menu section above), press the M button. Scroll using the +/- buttons and select the function by pressing OK.

Use the "+/-" buttons to activate/deactivate the function.

To exit without saving, press the "M" button.

Confirm by pressing the "OK" button for two seconds.

Setting the hours

Press "+" to increase the duration.

To exit without saving, press the "M" button.

Confirm by pressing the "OK" button for two seconds.

Press ON/OFF to return to the main screen.

With the Night Function active, the display shows the moon in the top left corner.

To quit the function, return to the menu and set the Night function to Deactivated. The procedure is the same as for activation.

Load Pellets

Allows you to load pellets after the screw feeder has emptied following a no-pellets alarm.

Useful for the technician during commissioning.

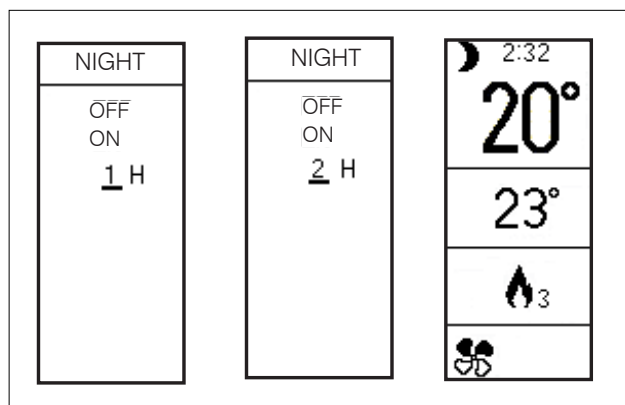
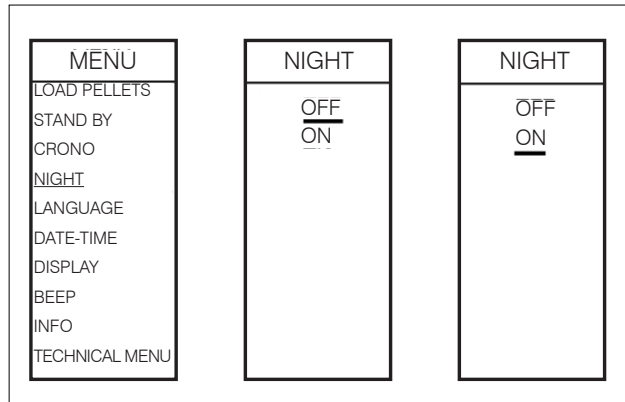
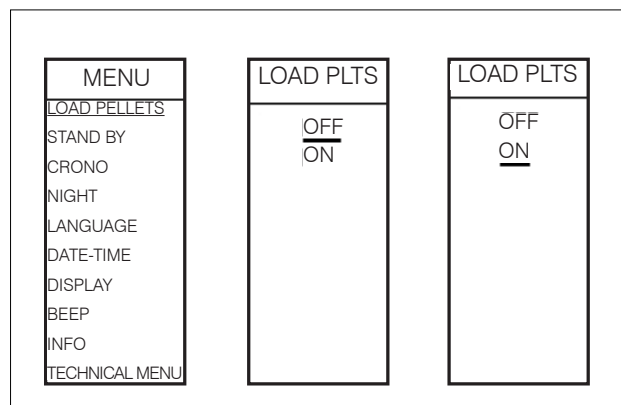
Available only in the OFF state. If you attempt to activate the function in other states, access is not granted.

To access the function from the main menu (as indicated in the Menu section above), press the M button. Scroll using the +/- buttons and select the function by pressing OK.

Use the "+/-" buttons to activate/deactivate the function.

Press "M" to quit without saving.

Confirm by pressing the "OK" button for 2 seconds



Language

Selects the language.

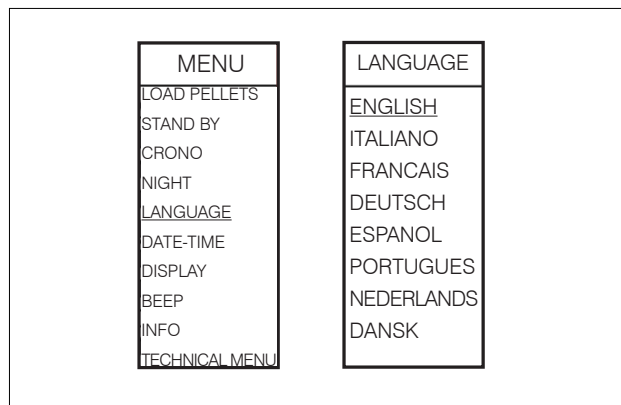
This displays the first time the remote control is activated with the product powered on, or by selecting the option from the menu.

To access the function from the main menu (as indicated in the Menu section above), press the M button. Scroll using the +/- buttons and select the function by pressing OK.

Use the "+/-" buttons to select the language.

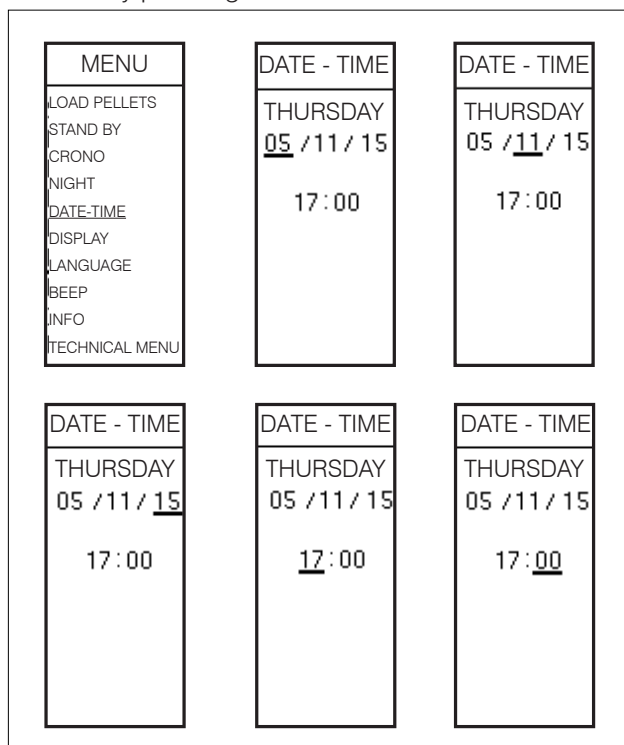
To exit without saving, press the "M" button.

Confirm by pressing the "OK" button for two seconds.



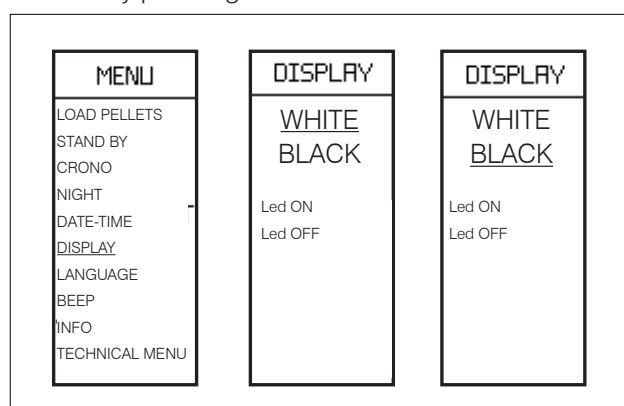
Date/Time

Sets the current date/time.
 This displays the first time the remote control is activated with the stove powered on, or by selecting the option in the menu.
 To access the function from the main menu (as indicated in the Menu section above), press the M button. Scroll using the +/- buttons and select the function by pressing OK.
 Use the "+/-" buttons.
 Press "M" to quit without saving.
 Confirm by pressing the "OK" button for 2 seconds.



Display

It allows you to choose the background of the display, from white to black, or deactivate the lighting (Led ON - Led OFF).
 To access the function from the main menu (as indicated in the Menu section above), press the M button. Scroll using the +/- buttons and select the function by pressing OK.
 Use the "+/-" buttons to select the colour.
 Press "M" to quit without saving.
 Confirm by pressing the "OK" button for 2 seconds



Beep

Allows you to enable/disable the beep.
 To access the function from the main menu (as indicated in the Menu section above), press the M button. Scroll using the +/- buttons and select the function by pressing OK.
 Use the "+/-" buttons to select On/Off.
 Press "M" to quit without saving.
 Confirm by pressing the "OK" button.

Info

These readings should only be done when requested by the technician.
 The technician understands the diagnostic meaning of the messages and numbers, and may ask you to read them to him/her if you experience problems.

Technical menu

Accessible only to an authorised technician with the appropriate password.

**Before doing any maintenance, disconnect the appliance from the mains.
Regular maintenance is essential to keep the appliance in good working order.
Failure to service the product properly will prevent it from working properly.
Any problems due to failure to service the stove will void the warranty.**

DAILY MAINTENANCE

These jobs should be done with the product off, cold and preferably disconnected from the mains.

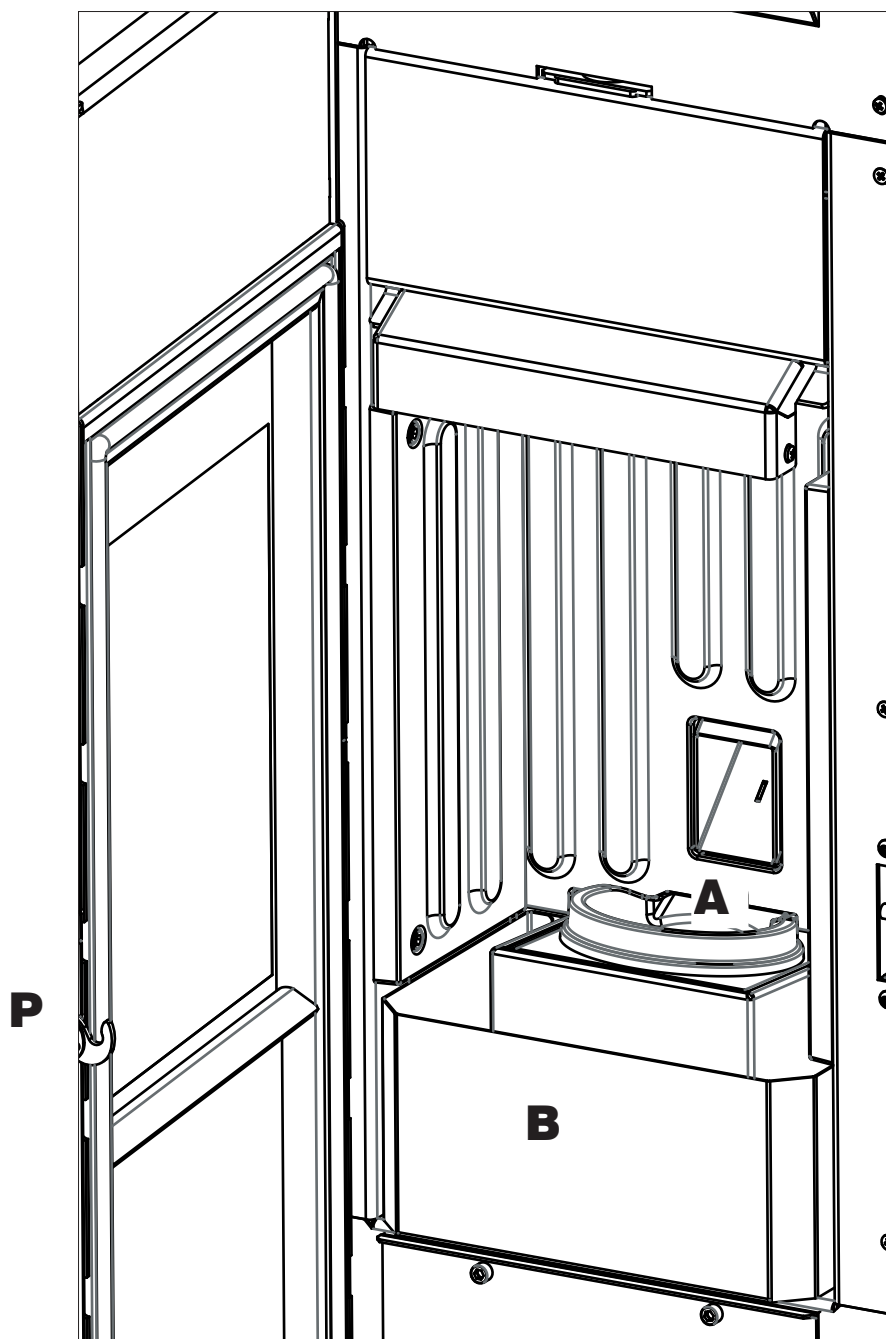
A suitable vacuum cleaner is required.

The entire procedure takes just a few minutes.



Using the stove without cleaning the burning pot can cause the gas in the combustion chamber to ignite....leading to burst/glass breakage.

1. Open the combustion chamber door (P) using the removable handle provided.
2. The burning pot (A) slips into position in its housing. Empty the ash tray(B) and burning pot into a non-flammable container (the ashes may still contain embers and/or hot parts) or vacuum if cold. Vacuum out the interior of the combustion chamber, the bed, and the compartment around the burning pot into which the ash falls.
3. Scrape the burning pot with the provided scraper and clean out any obstructed holes.
4. If necessary, clean the glass when cold using a dedicated product (e.g. Glasskamin), which your dealer should have.



- Do not dump the cleaning residue into the pellet tank.
- Make sure that the ash tray, once re-mounted, is properly positioned in its housing, if not the glass may break by hitting it.
- Ensure that the burning pot is properly positioned in its housing following maintenance, otherwise the stove may have problems igniting.

SEASONAL MAINTENANCE

(to be carried out by the technical assistance centre)

This consists of cleaning the stove inside and out.

If the product is used intensively, we recommend cleaning the fumes duct and flue every 3 months.

You should clean the chimney system at least once a year (check local regulations for details).

If you fail to regularly clean and inspect the system, there is an increased risk of the chimney pot catching fire.

We recommend against using compressed air to clean the combustion air inlet.

Seasonal maintenance must be performed on a regular basis by an authorized technician according to local and national regulations.

SUMMER SHUTDOWN

During the period of disuse, keep the stoves doors, hatches and lids closed.

We recommend emptying out the pellet tank.

SPARE PARTS

For any spare parts, contact your dealer or technician. Using non-original spare parts may damage the appliance and relieves Edilkamin of all liability for damage resulting such use.

Do not make unauthorised modifications

DISPOSAL

At the end of its service life, dispose of the product as required by regulations.



In accordance with art. 26 of Legislative Decree no. 49 of 14th March 2014, "Implementation of Directive 2012/19/UE on the disposal of electrical and electronic devices (RAEE)".

The crossed-out dustbin symbol displayed on equipment or its packaging indicates that the product at the end of its life must be collected separately from other waste.

At the end of its useful life, the user should therefore deliver the product to a suitable local sorted collection centre for electrical and electronic devices.

Sorted collection for recycling, treatment and environmentally compatible scrapping contributes to the prevention of negative effects on the environment and health, and promotes the re-use and recycling of the materials of which the equipment is made.

If problems occur, the product shuts itself off automatically.

The display will show the reason (see below).

Do not disconnect from the power supply.

To start the appliance up again, allow the shutdown procedure to complete, then press the ON/OFF button on the remote control. Keep pressed till “UNLOCK ?” will appear. Release then the key pressing it back again for a long time.

Before starting the product up again, check the reason for the shutdown and CLEAN THE BURNING POT.

The product is equipped with a safety valve but, if the burning pot is not cleaned regularly as explained above, ignition may involve a small detonation. If white smoke forms in the combustion chamber for a long time, disconnect the mains supply and wait 30 minutes before opening the door and emptying out the burning pot.

SHUTDOWN MESSAGES AND THEIR SOLUTIONS:

MESSAGE	PROBLEM	SOLUTION
H01	displays when the combustion air intake is below the set level	<ul style="list-style-type: none"> • Check that the combustion chamber door is closed • Check the regular maintenance of the stove • Check that smoke discharge and combustion air ducts are clean
H02	displays when the logic board is not detecting the right fumes fan speed	<ul style="list-style-type: none"> • Contact the technician
H03	displays when the thermocouple detects a fume temperature lower than the set value and interprets this as the absence of flame	<ul style="list-style-type: none"> • Check that there are pellets in the tank • Contact the technician • Check that the tank is closed*
H04	displays when ignition times out unsuccessfully	<p>There are two possibilities: NO flame:</p> <ul style="list-style-type: none"> • Check that the burning pot is seated properly and is clean • Check that there are pellets in the tank and burning pot • Use a piece of solid paraffin to light the stove (contact the technician first) <p>Flame present:</p> <ul style="list-style-type: none"> • Contact the technician
H05	Shutdown due to air flow rate sensor breakage	<ul style="list-style-type: none"> • Contact the technician
H06	displays when the logic board determines that the fumes thermocouple is broken or disconnected	<ul style="list-style-type: none"> • Contact the technician

MESSAGE	PROBLEM	SOLUTION
H07	Shut-down due to exceeding maximum fumes temperature.	<ul style="list-style-type: none"> • Check the type of pellet (contact the technician if in doubt) • contact the technician
H08	Switching OFF due to excessive overheating of the product.	<ul style="list-style-type: none"> • see H07
H09	Shut-down due to gearmotor failure.	<ul style="list-style-type: none"> • Contact the technician
H10	Switching OFF due to circuit board overheating.	<ul style="list-style-type: none"> • Contact the technician
H11	Switching OFF due to the intervention of the safety pressure switch.	<ul style="list-style-type: none"> • Ensure the stove and flue are clean • Contact the technician • Check that the combustion chamber door is closed
H12	Room temperature probe failure. The product is operating in manual mode.	<ul style="list-style-type: none"> • Contact the technician

* If the pellets do not enter the combustion chamber, check that the pellet tank is closed.
In fact, a safety switch shuts down the appliance if the pellet tank remains open.

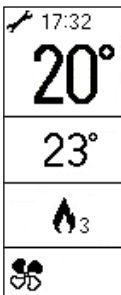
MESSAGES WHICH DO NOT SHUT THE STOVE DOWN, BUT ARE SIMPLY WARNINGS**LOW REMOTE CONTROL BATTERY LEVEL:**

The battery symbol will appear on the remote control display if the battery is low.

**MAINTENANCE:**

A wrench symbol is shown on the display after 2000 hours of operation.

The product is working, but it must be serviced by an authorised Edilkamin technician.





EDILKAMIN
TECNOLOGIA DEL FUOCO

www.edilkamin.com

cod. 942040-GB 07.19/B